

Gold Pineapple Touch Lamp with White Shade



LIGHT SOURCE DATA

- 60W Max E14 SES (required)
- Lamp direction - Indirect
- Lamp shape - Standard
- Non-dimmable
- Energy class: Not applicable

DIMENSION DATA

- Height 420mm
- Diameter 220mm

- Weight 0.95kg

SPECIFICATION

- Manufacturer warranty for 2 years from date of purchase
- Polished gold plate with clear glass detail and white cotton
- IP20
- Touch On/Off Switch
- Class II - Double Insulated, No Earth
- 240V
- Assembly required? No
- UKCA Marking, Energy Efficient, Energy Saving

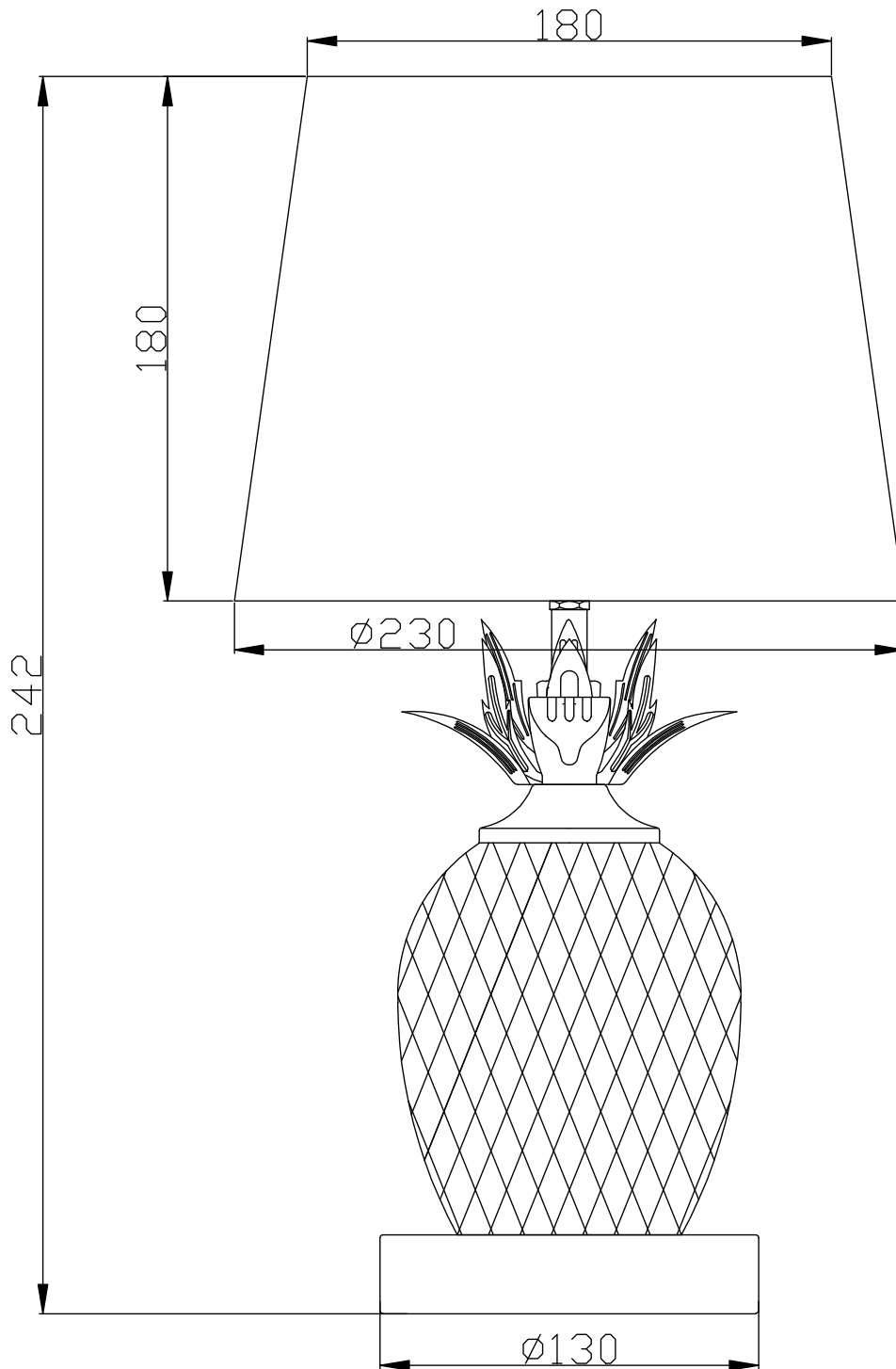
CERTIFICATION



CONTACT

www.firstchoicelighting.co.uk

info@firstchoicelighting.co.uk



CERTIFICATION



CONTACT

www.firstchoicelighting.co.uk

info@firstchoicelighting.co.uk