

Set of 2 Gold Touch Lamps with White Cotton Shades



LIGHT SOURCE DATA

- 2 x 60W Max E14 SES (required)
- Lamp direction - Indirect
- Lamp shape - Standard
- Non-dimmable
- Energy class: Not applicable

DIMENSION DATA

- Height 487mm
- Diameter 250mm

- Weight 1.72kg

SPECIFICATION

- Manufacturer warranty for 2 years from date of purchase
- Polished gold plate with clear glass detail and white cotton
- IP20
- Touch On/Off Switch
- Class II - Double Insulated, No Earth
- 240V
- Assembly required? No
- UKCA Marking, Energy Efficient, Energy Saving

CERTIFICATION



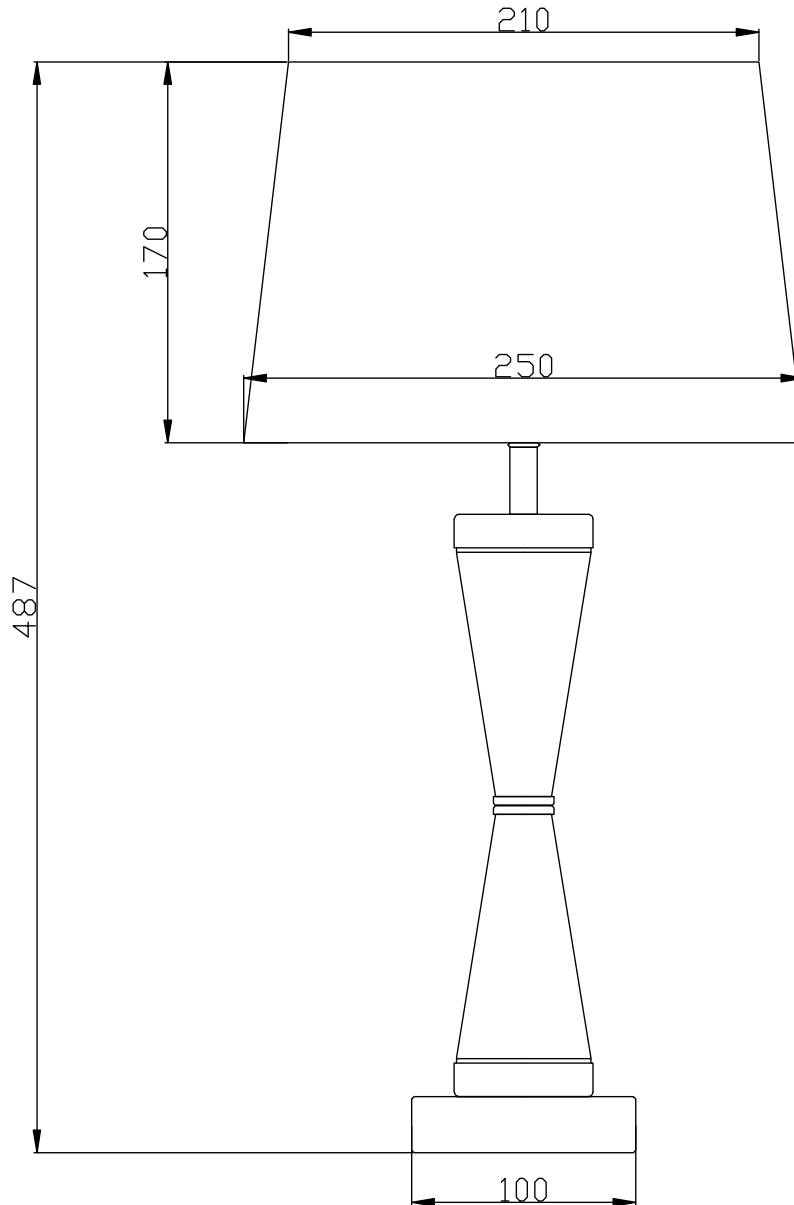
CONTACT

www.firstchoicelighting.co.uk

info@firstchoicelighting.co.uk

FCL-10849X2

Set of 2 Gold Touch Lamps with White Cotton Shades



CERTIFICATION



CONTACT

www.firstchoicelighting.co.uk

info@firstchoicelighting.co.uk

ISSUE DATE 02/05/2024

PAGE 2