

## Elstead - Feiss - Matrimonio DL-MATRIMONIO1MP Pendant



### REFERENCE

- SKU: FCL-11788
- Supplier SKU: DL-MATRIMONIO1MP
- Barcode: 5024005386216

### DESCRIPTION

Inspired by antique, Italian wedding chandeliers, the traditional Matrimonio collection is named after the Italian word for wedding. The warm Driftwood finish brings out the rich depth of the turned details while still maintaining an overall elegantly simple and clean aesthetic.

### CATEGORY

- Brand: Feiss Lighting
- Family: Matrimonio
- Category: Indoor Lighting / Ceiling / Single

### APPEARANCE

- Base: Dark Weathered Zinc
- Shade: Clear Glass
- Detail: Driftwood

### DIMENSION

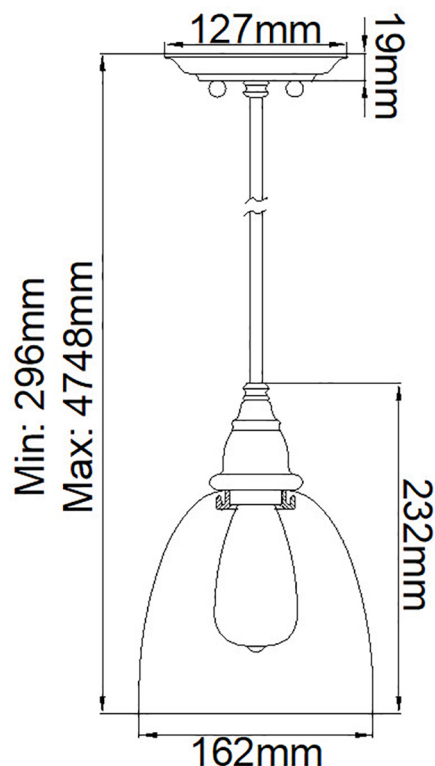
- Height: 296 - 4748mm
- Width: 162mm
- Diameter: 162mm
- Weight: 1.35kg

### LIGHT SOURCE

- Lamp included: No
- Lamp detail: 60W Max E27 ES (required)
- Dimmable
- Energy class: Not applicable
- Switch: No

### SPECIFICATION

- Ingress protection: IP20
- Class: Class I - Single Insulated, Earthed
- Voltage: 240V



### CONTACT