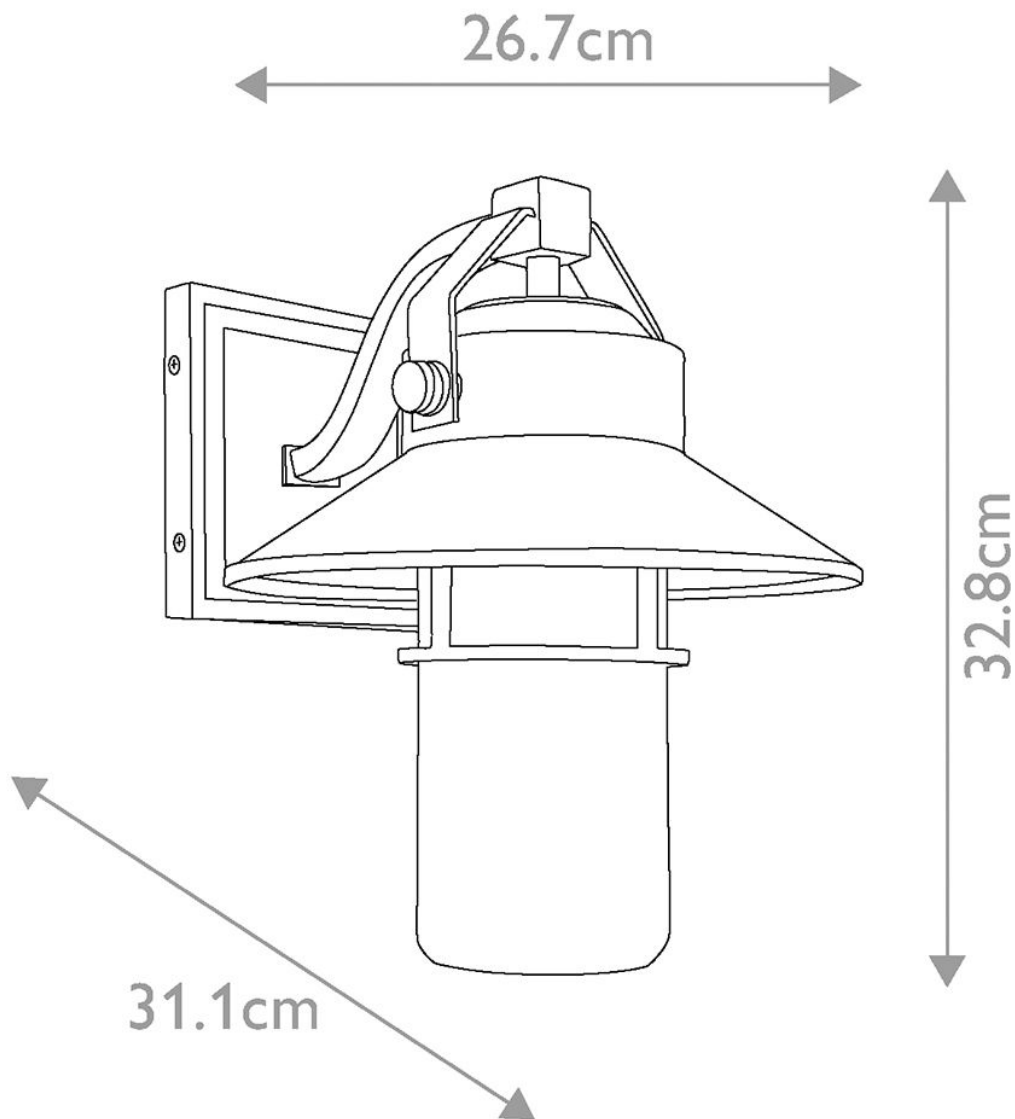


Elstead - Feiss - Boynton FE-BOYNTON2-M Wall Lantern



**CONTACT**