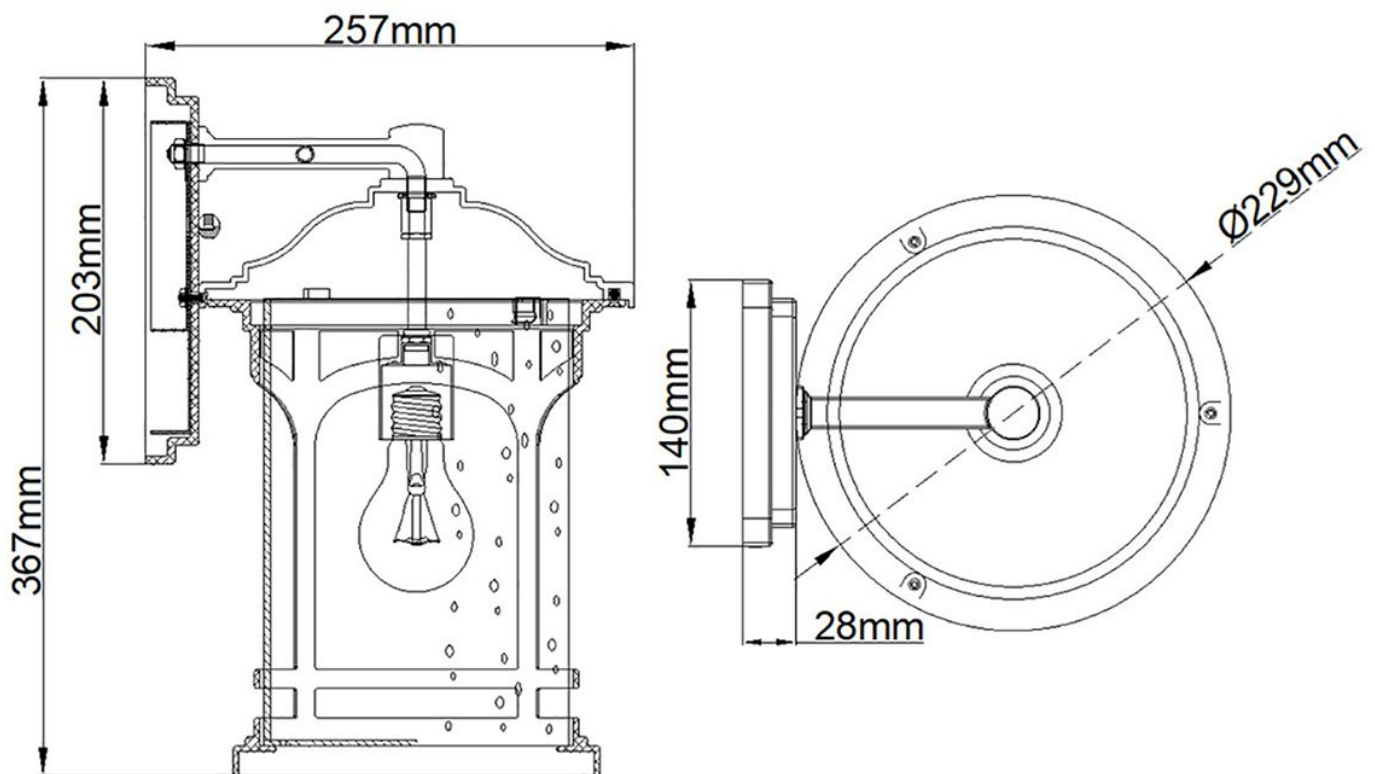


Elstead - Quoizel - Marblehead QZ-MARBLEHEAD-M-WHT Wall Lantern



## CONTACT