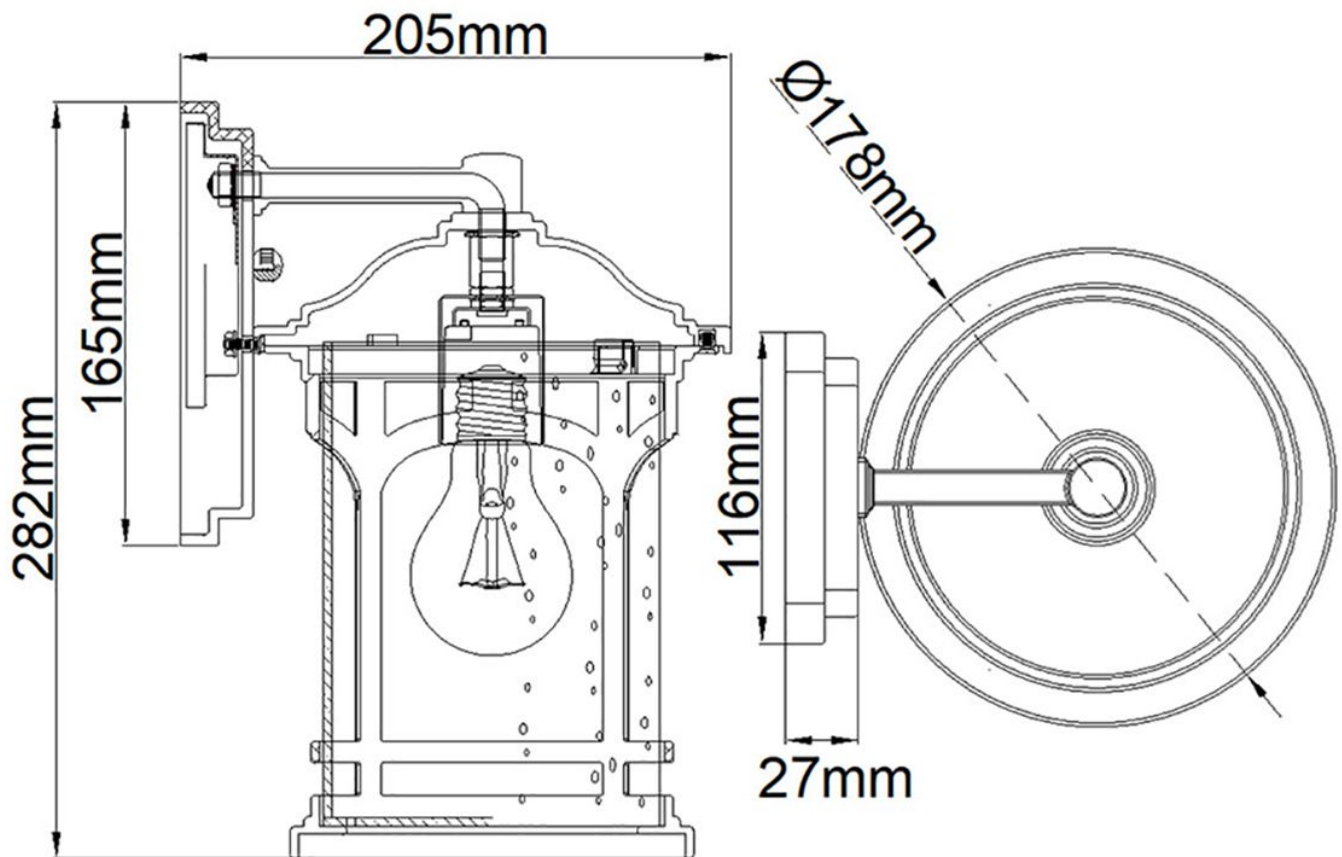


Elstead - Quoizel - Marblehead QZ-MARBLEHEAD-S-WHT Wall Lantern



CONTACT