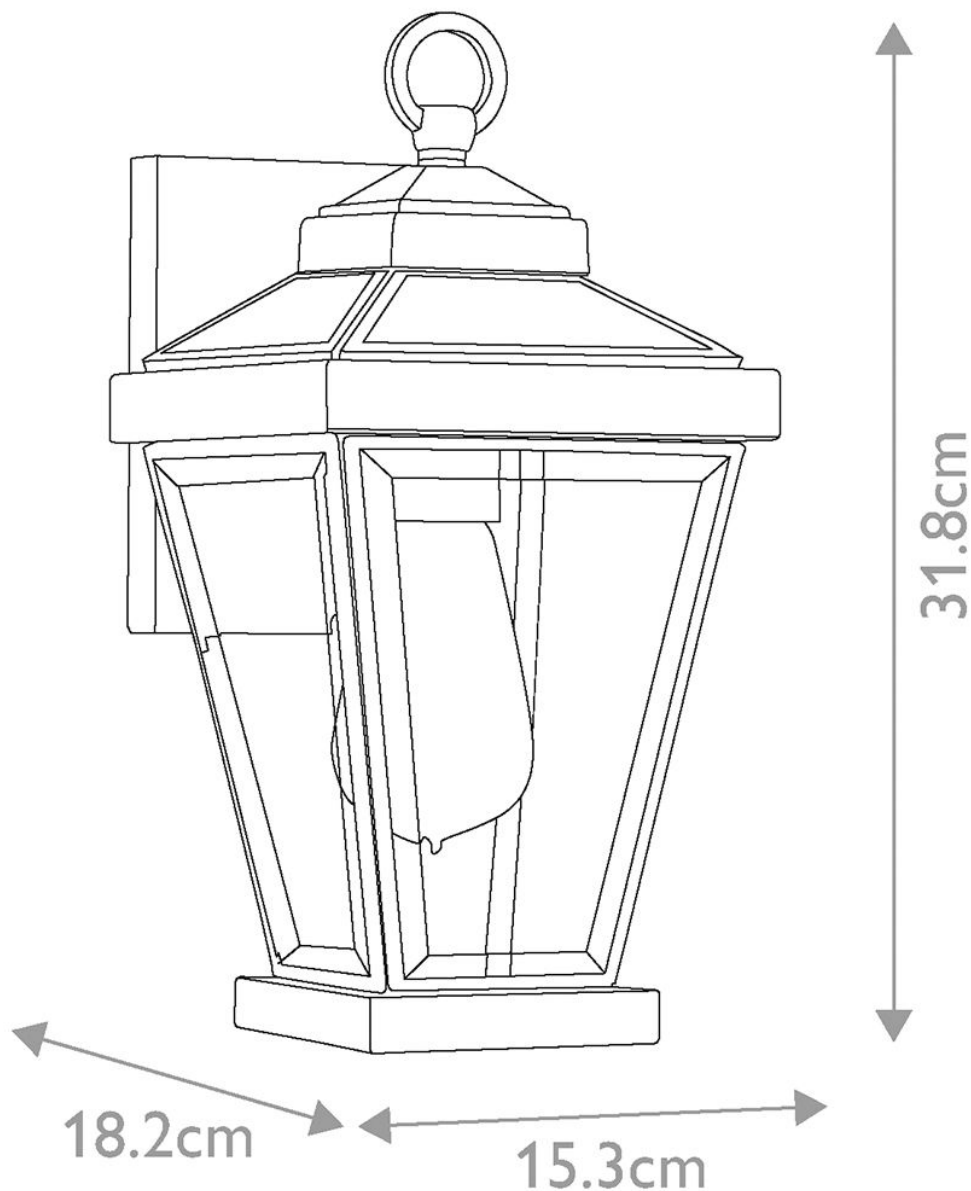


Elstead - Quoizel - Ravine QZ-RAVINE2-S Wall Lantern



CONTACT