



## LIGHT SOURCE DATA

- 35W Max GU10 Halogen (required)
- Lamp direction - Upwards
- Lamp shape - Reflector/Pear Shape
- Dimmable
- Energy class: Not applicable

## DIMENSION DATA

- Height 123mm
- Diameter 110mm
- Projection 6.5mm
  
- Minimum cavity depth 120mm
- Cut out size 92mm
- Weight 0.50kg

## SPECIFICATION

- Manufacturer warranty for 2 years from date of purchase
- Brushed stainless steel and clear glass
- IP44
- No
- Class I - Single Insulated, Earthed
- 240V
- Assembly required? No
- Comes with 300mm black rubber shrouded cable
- UKCA Marking, Energy Efficient, Energy Saving

## CERTIFICATION

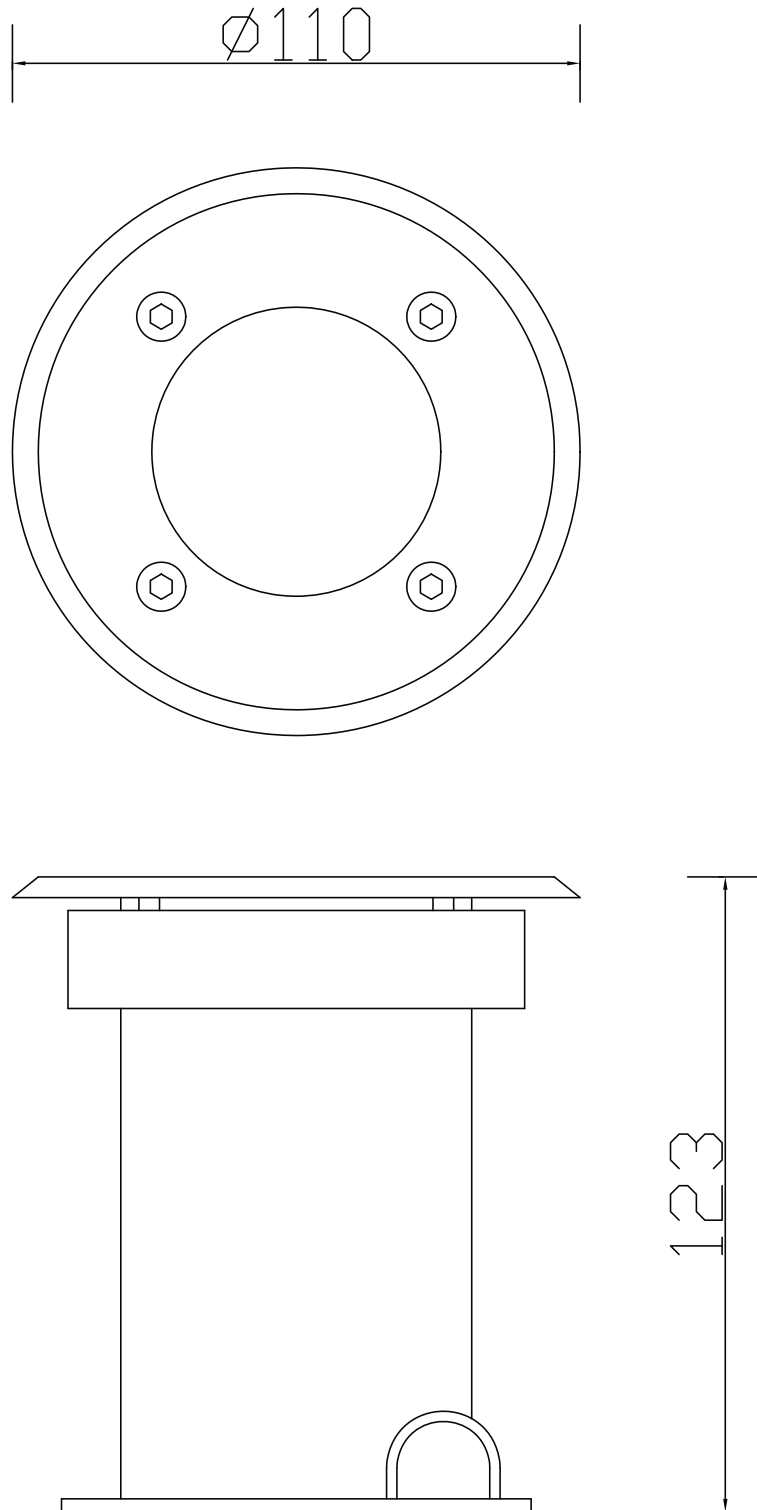


## CONTACT

[www.firstchoicelighting.co.uk](http://www.firstchoicelighting.co.uk)

[info@firstchoicelighting.co.uk](mailto:info@firstchoicelighting.co.uk)

Lipa - Outdoor Recessed Ground Light



## CERTIFICATION



## CONTACT

[www.firstchoicelighting.co.uk](http://www.firstchoicelighting.co.uk)

[info@firstchoicelighting.co.uk](mailto:info@firstchoicelighting.co.uk)

ISSUE DATE 08/12/2025

PAGE 2