

Tripod - Chrome Lamp with Navy Blue & Silver Fabric Shade



## LIGHT SOURCE DATA

- 40W Max E14 SES (required)
- Lamp direction - Indirect
- Lamp shape - Conical/Candelabra/Candle
- Non-dimmable
- Energy class: Not applicable

## DIMENSION DATA

- Height 530mm
- Diameter 285mm
- Weight 0.84kg

## SPECIFICATION

- Manufacturer warranty for 2 years from date of purchase
- Polished chrome plate and navy blue cotton with chrome inner detail
- IP20
- In-line On/Off Switch
- Class II - Double Insulated, No Earth
- 240V
- Assembly required? No
- UKCA Marking, Energy Efficient, Energy Saving

## CERTIFICATION

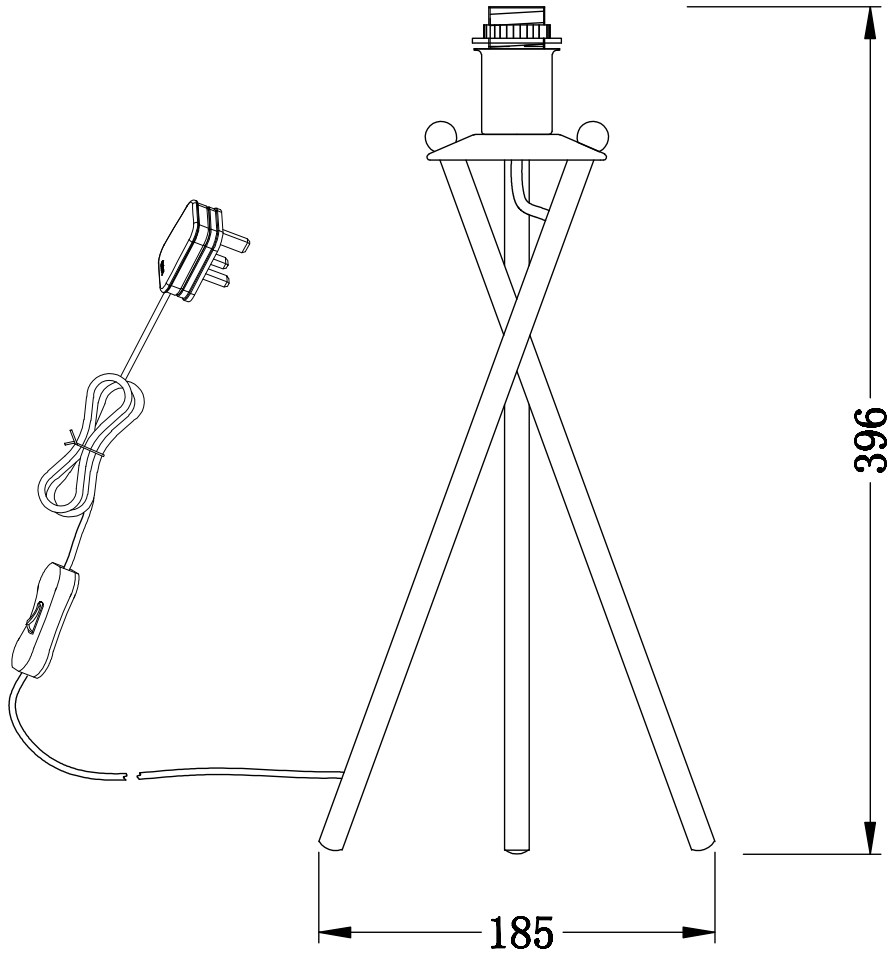


## CONTACT

[www.firstchoicelighting.co.uk](http://www.firstchoicelighting.co.uk)

[info@firstchoicelighting.co.uk](mailto:info@firstchoicelighting.co.uk)

Tripod - Chrome Lamp with Navy Blue & Silver Fabric Shade



## CERTIFICATION



## CONTACT

[www.firstchoicelighting.co.uk](http://www.firstchoicelighting.co.uk)

[info@firstchoicelighting.co.uk](mailto:info@firstchoicelighting.co.uk)