

Tripod - Chrome Lamp with Green & Gold Fabric Shade



LIGHT SOURCE DATA

- 40W Max E14 SES (required)
- Lamp direction - Indirect
- Lamp shape - Conical/Candelabra/Candle
- Non-dimmable
- Energy class: Not applicable

DIMENSION DATA

- Height 530mm
- Diameter 285mm
- Weight 0.84kg

SPECIFICATION

- Manufacturer warranty for 2 years from date of purchase
- Polished chrome plate and dark green cotton with gold inner detail
- IP20
- In-line On/Off Switch
- Class II - Double Insulated, No Earth
- 240V
- Assembly required? No
- UKCA Marking, Energy Efficient, Energy Saving

CERTIFICATION

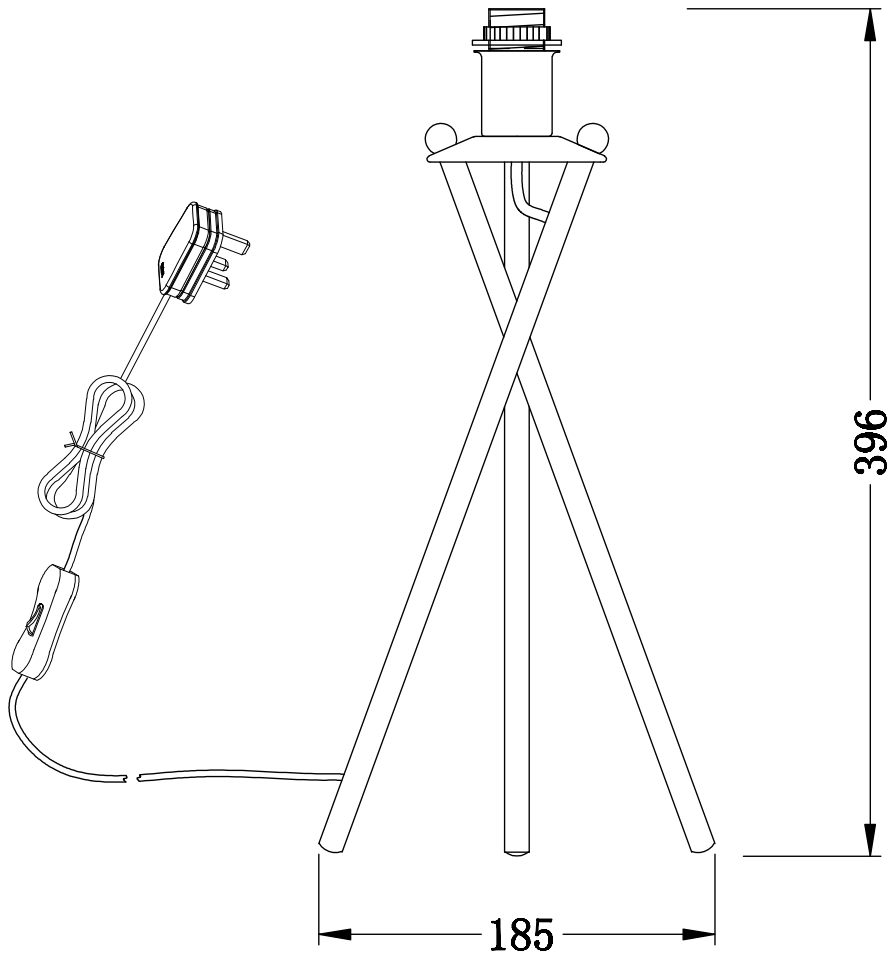


CONTACT

www.firstchoicelighting.co.uk

info@firstchoicelighting.co.uk

Tripod - Chrome Lamp with Green & Gold Fabric Shade



CERTIFICATION



CONTACT

www.firstchoicelighting.co.uk

info@firstchoicelighting.co.uk