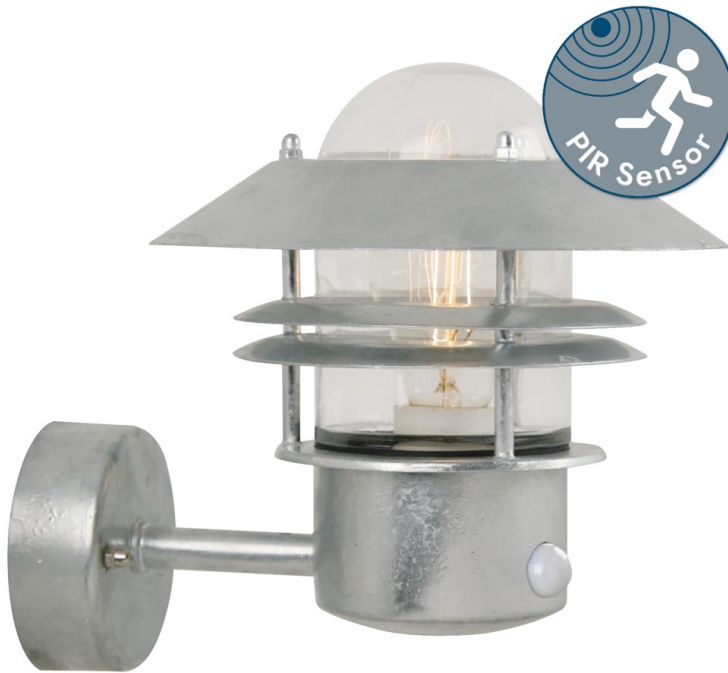


Nordlux - Blokhuis - 25031031 - Galvanized Steel Clear Glass IP54 Outdoor Sensor Wall Light



## REFERENCE

- SKU: FCL-13932
- Supplier SKU: 25031031
- Barcode: 5701581119048

## DESCRIPTION

A classic light fixture from Nordlux, suitable for mounting in the driveway, at the entrance, on the terrace, or on the patio. This model is designed with an upward facing lampshade. The built-in sensor ensures that the light turns on automatically when it detects motion nearby. At the same time, it ensures that the light is not turned on unnecessarily.

The galvanised finish makes the light fixture resistant to the Nordic climate. We recommend light fixtures in galvanised steel for coastal areas.

## CATEGORY

- Brand: Nordlux
- Family: Blokhuis
- Category: Outdoor Lighting / Wall / Sensor

## APPEARANCE

- Base: Galvanized Steel
- Shade: Clear Glass

## DIMENSION

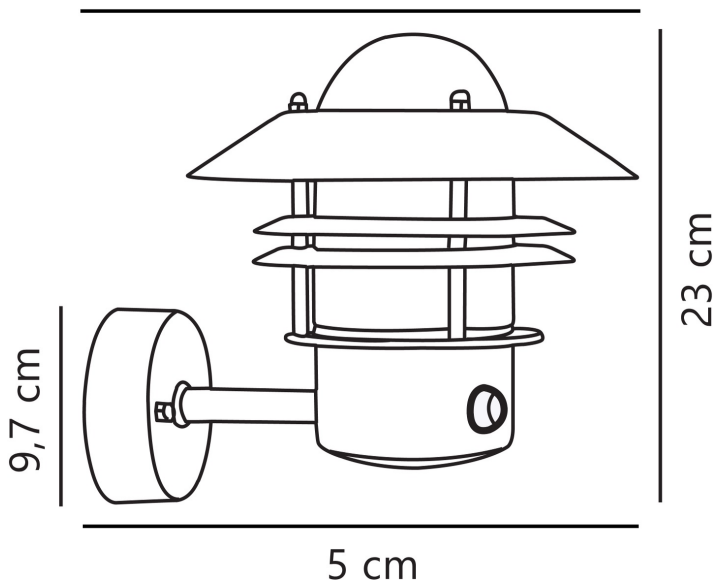
- Height: 230mm
- Width: 220mm
- Depth: 250mm
- Weight: 1.41kg

## LIGHT SOURCE

- Lamp included: No
- Lamp detail: 60W Max E27 ES (required)
- Dimmable
- Energy class: Not applicable
- Switch: No

## SPECIFICATION

- Ingress protection: IP54
- Sensor: PIR Motion Sensor
- Class: Class I - Single Insulated, Earthed
- Voltage: 240V



## CONTACT