

Nordlux - Luxembourg - 22661031 - Galvanized Steel Clear Glass IP54 Outdoor Sensor Wall Light



REFERENCE

- SKU: FCL-14122
- Supplier SKU: 22661031
- Barcode: 5701581020054

DESCRIPTION

This elegant wall light from the Nordlux Luxembourg series is a classic outdoor wall light with a glass dome to provide beautiful lighting at your entrance, in the driveway, garage, on the terrace, or on the patio. The light is equipped with a sensor, which makes the light switch on automatically when someone passes. The light can be connected in parallel with several lights and is equipped with an LED bulb.

The galvanised finish makes the light fixture resistant to the Nordic climate. We recommend light fixtures in galvanised steel for coastal areas.

CATEGORY

- Brand: Nordlux
- Family: Luxembourg
- Category: Outdoor Lighting / Wall / Sensor

APPEARANCE

- Base: Galvanized Steel
- Shade: Clear Glass

DIMENSION

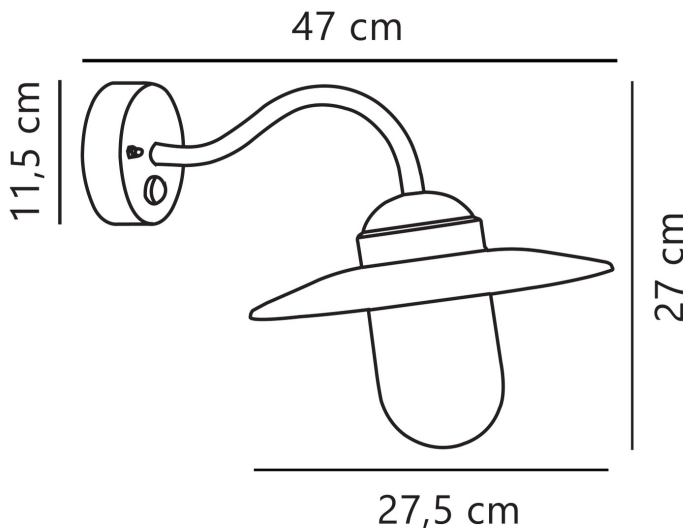
- Height: 270mm
- Width: 270mm
- Depth: 470mm
- Weight: .95kg

LIGHT SOURCE

- Lamp included: No
- Lamp detail: 60W Max E27 ES (required)
- Dimmable
- Energy class: Not applicable
- Switch: No

SPECIFICATION

- Ingress protection: IP54
- Sensor: PIR Motion Sensor
- Class: Class I - Single Insulated, Earthed
- Voltage: 240V



CONTACT