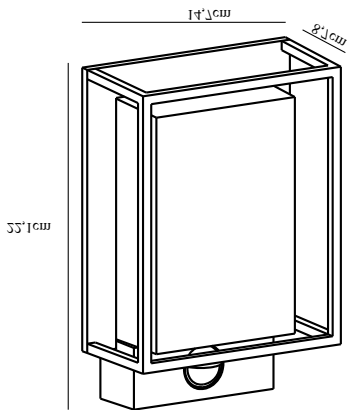


NESTOR SENSOR | WALL LIGHT | BLACK

49051503

nordlux®



Voltage (V): 230 Volt
IP degree: IP44
Class (Class 1, Class 2, Class 3):
Class 1 (Earth contact)
Bulb base: LED Module
Parallel connection: True

Primary material: Aluminium
Secondary material: Plastic
Suitable for Seaside: No
Color: Black

Height (cm): 22.1
Width (cm): 14.7
Projection (cm): 8.7
EAN: 5701581464988
TUN: 2042390
Item Number: 49051503

Pcs Per Master Carton: 3
Sales Box Height (cm): 23
Sales Box Width(cm): 15.5
Sales Box Depth (cm): 9.5
Sales Box Volume m³ : 0.0034
Product net weight (kg): 0.68

Brightness of light (Lumen): 550
Color Temperature (K): 2700
Ra-value : 80
Lifetime (h): 25000
Beam Angle (°) : 120
Energy Class: E
Actual Watt (W): 8

- Build-in daylight and motion sensor
- Build-in parallel connection
- 5 year LED guarantee



The gorgeous minimalist form makes Nestor a modern and timeless wall lamp. The lamp has an integrated LED, which has a long life and a low energy consumption. Furthermore, the lamp can be connected in parallel to multiple lamps, making Nestor highly functional. Nordlux offers a 5-year LED warranty.

Nestor is equipped with a sensor that is triggered automatically when motion is detected. Therefore, the lamp will not be turned on unnecessarily, which makes Nestor a great energy-saving and convenient lamp.