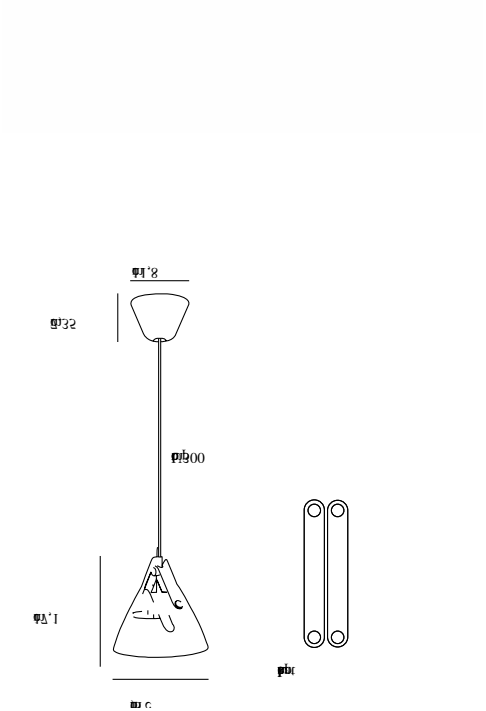


STRAP 16 | PENDANT | BLACK

84303003



Voltage (V): 230 Volt
IP degree: IP20
Maximum bulb wattage (W): 40W
Class (Class 1, Class 2, Class 3):
Class 2 (Double isolated)
Bulb base: GU10
Dimmerable: Yes with compatible
bulb

Primary material: Metal
Secondary material: Leather
Color of the cable: Black
Length of the cable (cm): 300
Surface material of the cable:
Textile
Is the cable replaceable: False

Color: Black
Height (cm): 17
Shade Diameter (cm): 16.5
Shade Height (cm): 17.2

EAN: 5701581364981
TUN: 1896593
Item Number: 84303003

Pcs Per Master Carton: 3
Sales Box Height (cm): 16
Sales Box Width(cm): 16
Sales Box Depth (cm): 22
Sales Box Volume m³ : 0.0056
Product net weight (kg): 0.68

• Industrial look • Nordic style
• Incl. black and neutral coloured leather strap • Material mix - metal and leather

Metal and leather goes well with the light Nordic style. The combination of these materials allows the light to visually interact with a modern interior, where combining materials is one of the biggest trends. With Strap it seems obvious – just as obvious as how a Nordic light design is named after a leather strap. The narrow and elegant leather gives Strap a warm and raw look, balancing a classic and the industrial expression. It comes with two leather straps in brown and black respectively, so it's up to you to give the Strap its final look. Designed by Bjørn + Balle