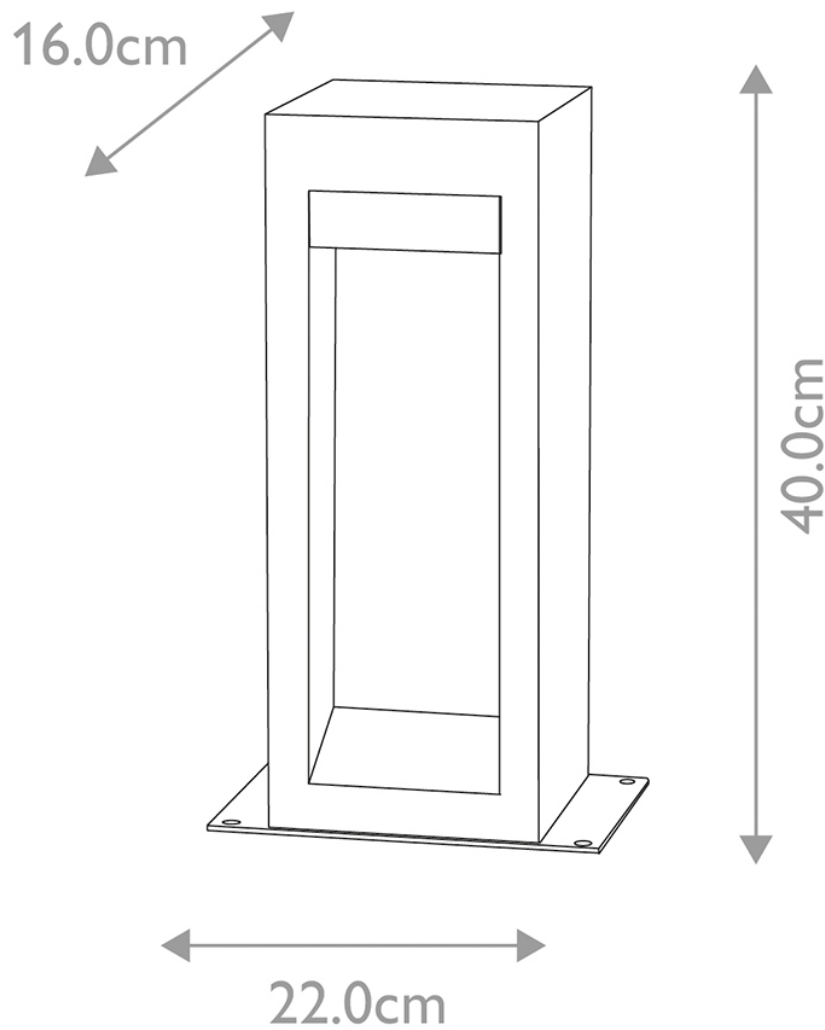


Elstead Lighting - Parkstone - PARKSTONE-BOL-B - LED Basalt Stone Stainless Steel IP55 Outdoor Post Light



CONTACT