



LIGHT SOURCE DATA

- 60W Max E27 ES (required)
- Lamp direction - Indirect
- Lamp shape - Standard
- Dimmable
- Energy class: Not applicable

DIMENSION DATA

- Height 315mm
- Width 140mm
- Depth 190mm

- Weight 0.80kg

SPECIFICATION

- Manufacturer warranty for 2 years from date of purchase
- Matt black and clear glass
- IP44
- No
- Class I - Single Insulated, Earthed
- 240V
- Assembly required? No
- Powder coated with pre-treatment for outdoor use
- UKCA Marking, Energy Efficient, Energy Saving

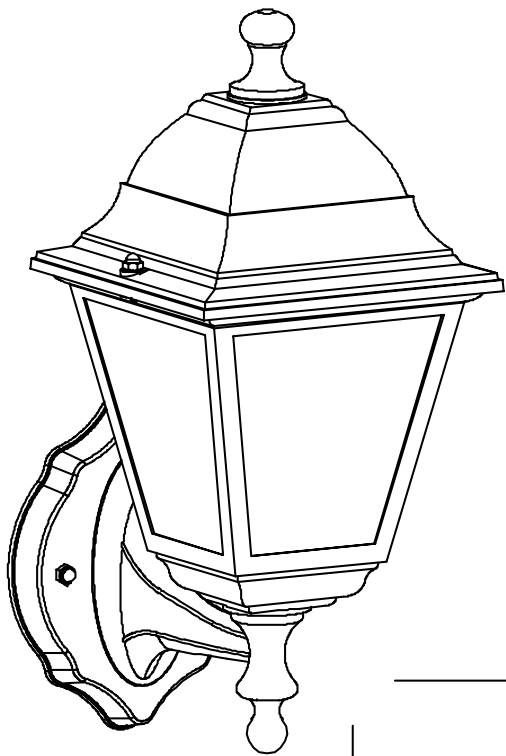
CERTIFICATION



CONTACT

www.firstchoicelighting.co.uk

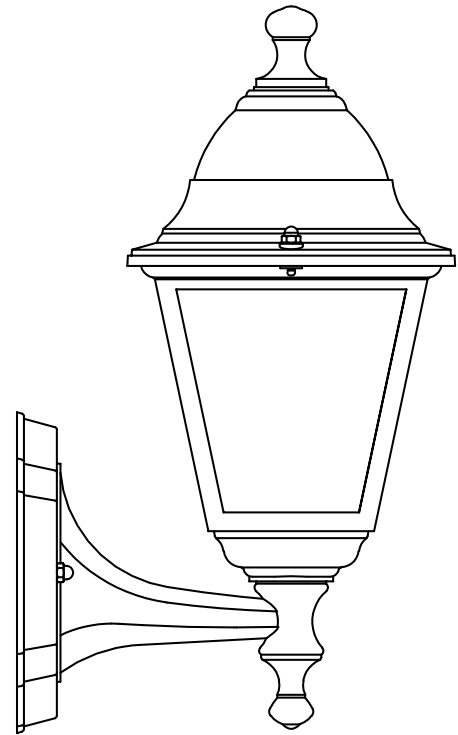
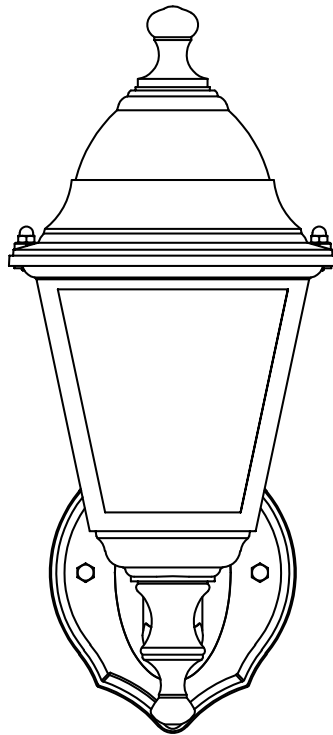
info@firstchoicelighting.co.uk



140

185

315



CERTIFICATION



CONTACT

www.firstchoicelighting.co.uk

info@firstchoicelighting.co.uk