

Mansfield - Black & Glass Six Sided Lantern IP44 Outdoor Wall Light

---



## LIGHT SOURCE DATA

- 60W Max E27 ES (required)
- Lamp direction - Indirect
- Lamp shape - Standard
- Dimmable
- Energy class: Not applicable

## DIMENSION DATA

- Height 510mm
- Width 235mm
- Depth 285mm
  
- Weight 1.30kg

## SPECIFICATION

- Manufacturer warranty for 2 years from date of purchase
- Matt black and clear glass
- IP44
- No
- Class I - Single Insulated, Earthed
- 240V
- Assembly required? No
- Powder coated with pre-treatment for outdoor use
- UKCA Marking, Energy Efficient, Energy Saving

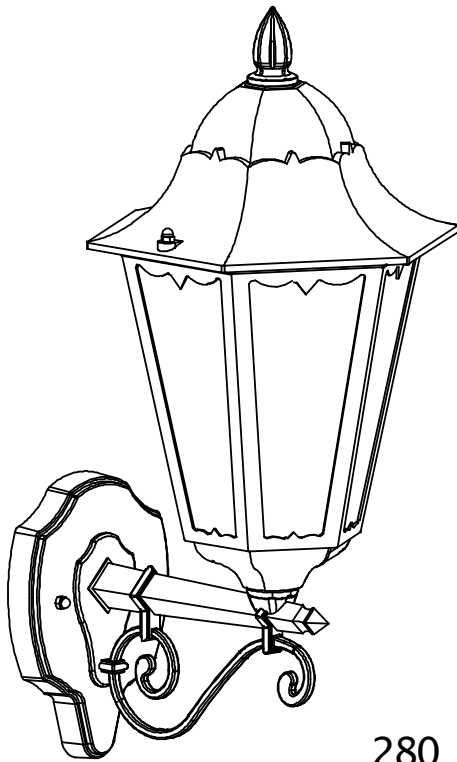
## CERTIFICATION



## CONTACT

[www.firstchoicelighting.co.uk](http://www.firstchoicelighting.co.uk)

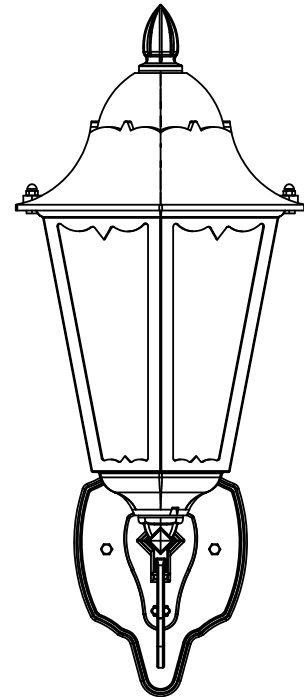
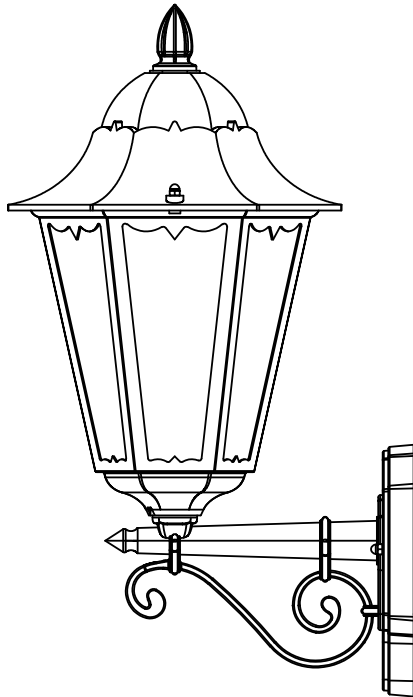
[info@firstchoicelighting.co.uk](mailto:info@firstchoicelighting.co.uk)



280

200

480



## CERTIFICATION



## CONTACT

[www.firstchoicelighting.co.uk](http://www.firstchoicelighting.co.uk)

[info@firstchoicelighting.co.uk](mailto:info@firstchoicelighting.co.uk)