

Set of 2 Durham - Black Brushed Gold IP44 Outdoor Lantern Wall Lights



LIGHT SOURCE DATA

- 2 x 60W Max E27 ES (required)
- Lamp direction - Indirect
- Lamp shape - Standard
- Dimmable
- Energy class: Not applicable

DIMENSION DATA

- Height 355mm
- Width 163mm
- Depth 200mm

- Weight 0.90kg

SPECIFICATION

- Manufacturer warranty for 2 years from date of purchase
- Black & hand brushed gold and clear glass
- IP44
- No
- Class I - Single Insulated, Earthed
- 240V
- Assembly required? No
- Powder coated with pre-treatment for outdoor use
- UKCA Marking, Energy Efficient, Energy Saving

CERTIFICATION



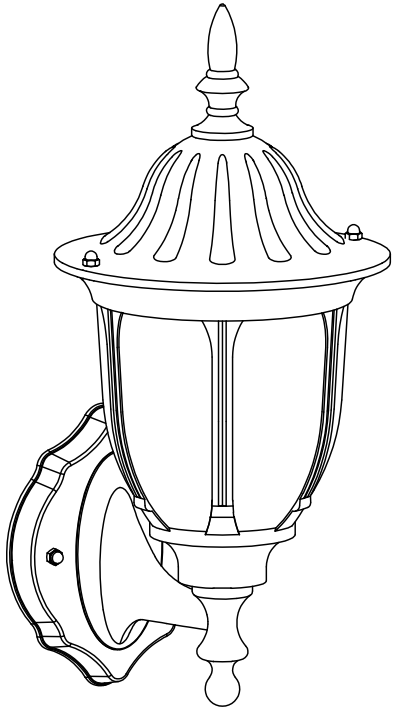
CONTACT

www.firstchoicelighting.co.uk

info@firstchoicelighting.co.uk

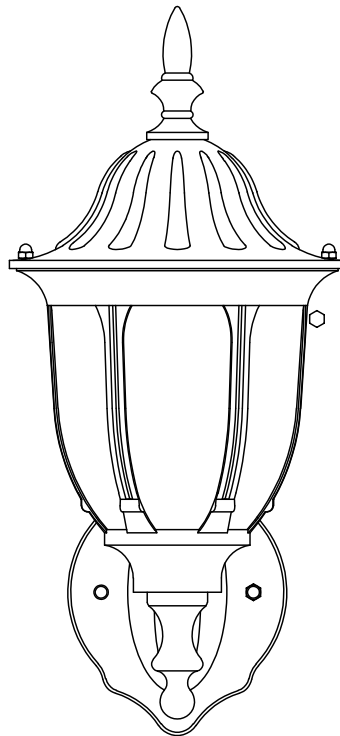
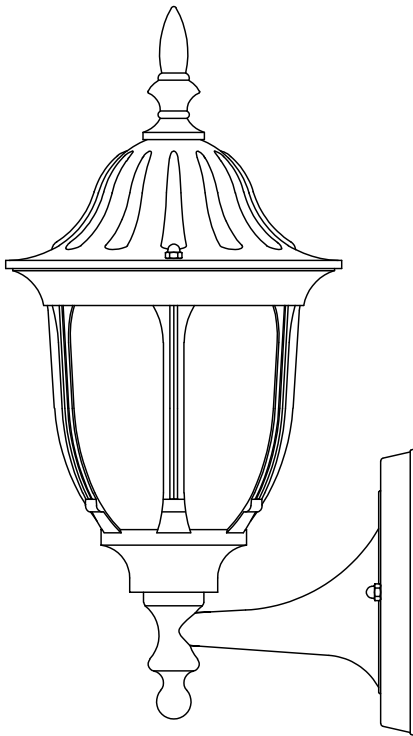
FCL-20972X2

Set of 2 Durham - Black Brushed Gold IP44 Outdoor Lantern Wall Lights



200

163



355

CERTIFICATION



CONTACT

www.firstchoicelighting.co.uk

info@firstchoicelighting.co.uk

ISSUE DATE 16/03/2026

PAGE 2