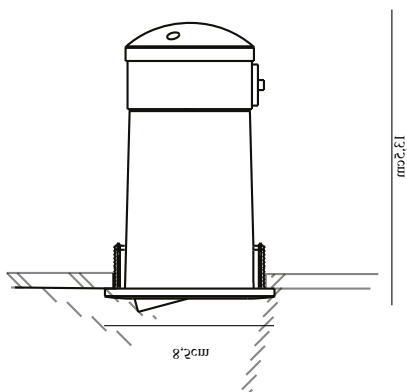


# MIXIT | DOWNLIGHT | BRUSHED STEEL

71820132

nordlux®



Voltage (V): 230 Volt  
IP degree: IP23  
Maximum bulb wattage (W): 8W  
LED  
Class (Class 1, Class 2, Class 3):  
Class 2 (Double isolated)  
Bulb base: GU10  
Parallel connection: True

Height (cm): 13.5  
Built In Spot Diameter (cm): 8.5  
Mount directly into insulation: True  
Tilt Angle (°): 35

EAN: 5701581264779  
TUN: 1392850  
Item Number: 71820132  
Pcs Per Master Carton: 3

Sales Box Height (cm): 14  
Sales Box Width(cm): 9  
Sales Box Depth (cm): 9  
Sales Box Volume m<sup>3</sup> : 0.0011  
Product net weight (kg): 0.232

Primary material: Plastic  
Secondary material: Metal  
Suitable for Seaside: No  
Color: Brushed steel

- Can be mounted directly into insulation • Parallel connection possible • Connector block included
- Suitable for in- and outdoor use (IP23) • White and brushed steel deco ring included

Single built-in spotlight with an adjustable and interchangeable outer ring in brushed steel/white. Suitable for both indoor and outdoor use, e.g. for installation in soffits and for mounting directly in the insulation. Includes installation box, light bulb not included.