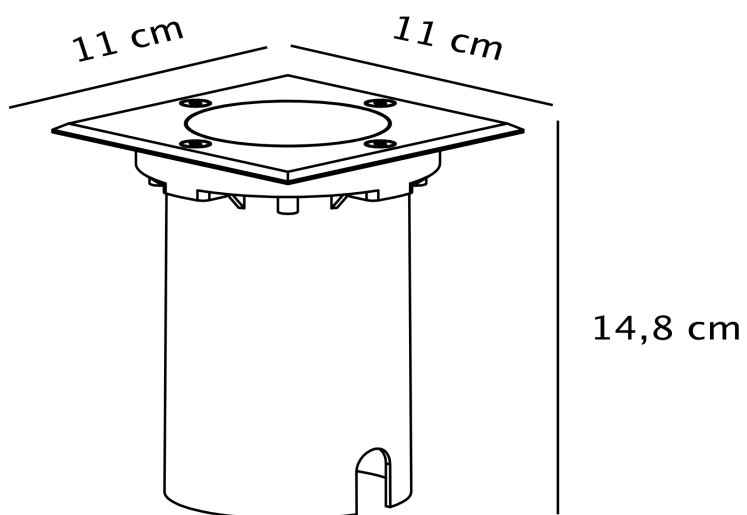


Nordlux - Andor - 2218410034 - Stainless Steel Frosted Glass IP67 Outdoor Ground Light



CONTACT