

Bradson - Clear Swirl Glass with Satin Nickel Pendant Fitting



LIGHT SOURCE DATA

- 42W Max E27 ES (required)
- Lamp direction - Indirect
- Lamp shape - Standard
- Dimmable
- Energy class: Not applicable

DIMENSION DATA

- Height 315 - 1275mm
- Diameter 190mm

- Weight 0.74kg

SPECIFICATION

- Manufacturer warranty for 2 years from date of purchase
- Clear swirl glass with satin nickel plate detail
- IP20
- No
- Class I - Single Insulated, Earthed
- 240V
- Assembly required? No
- UKCA Marking, Energy Efficient, Energy Saving

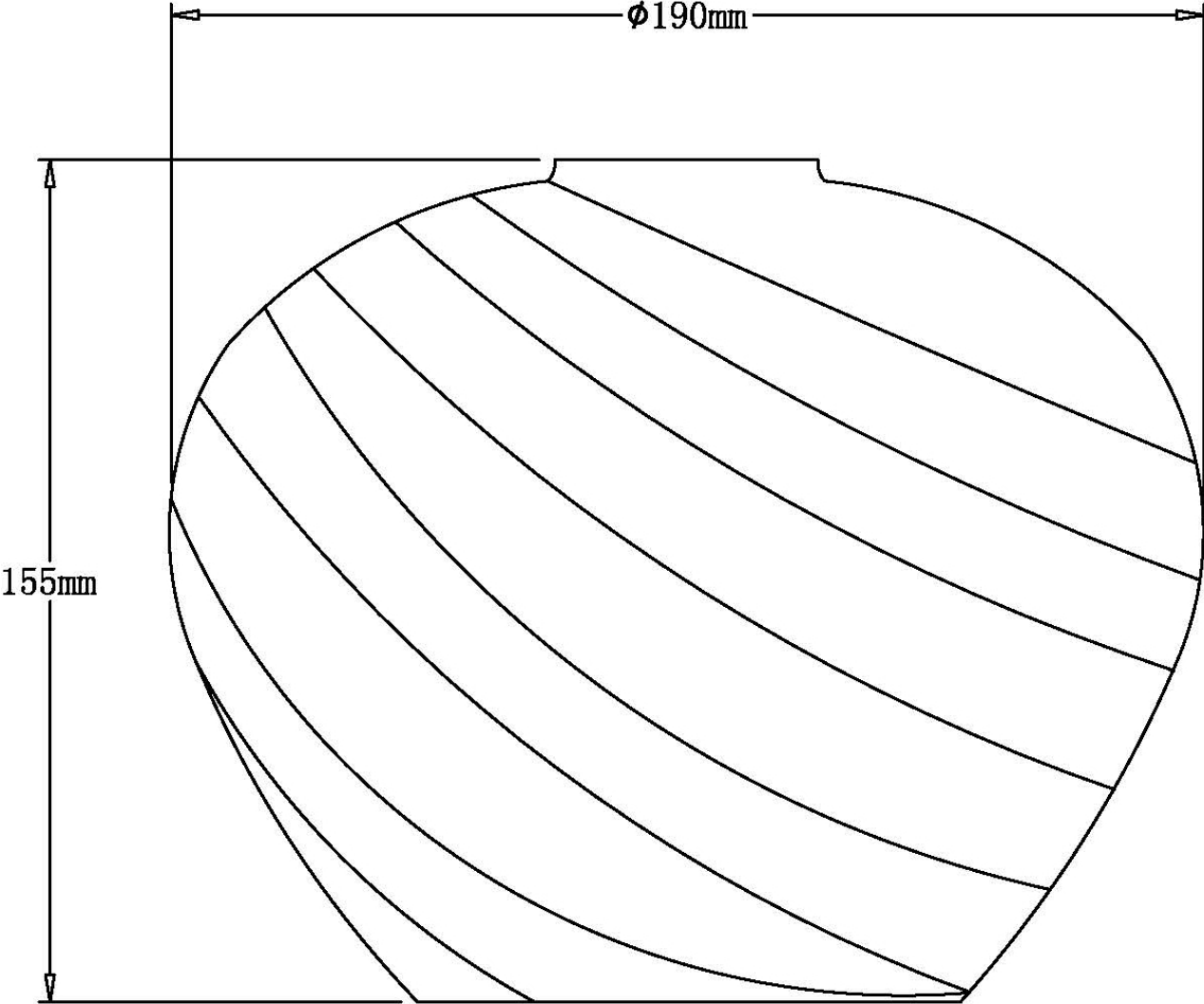
CERTIFICATION



CONTACT

www.firstchoicelighting.co.uk

info@firstchoicelighting.co.uk



CERTIFICATION



CONTACT

www.firstchoicelighting.co.uk

info@firstchoicelighting.co.uk