

Set of 2 Barnum - Clear Glass Globe with Satin Brass Pendant Fittings



LIGHT SOURCE DATA

- 2 x 42W Max E27 ES (required)
- Lamp direction - Indirect
- Lamp shape - Standard
- Dimmable
- Energy class: Not applicable

DIMENSION DATA

- Height 300 - 1260mm
- Diameter 170mm
- Weight 0.62kg

SPECIFICATION

- Manufacturer warranty for 2 years from date of purchase
- Clear glass with satin brass plate detail
- IP20
- No
- Class I - Single Insulated, Earthed
- 240V
- Assembly required? No
- UKCA Marking, Energy Efficient, Energy Saving

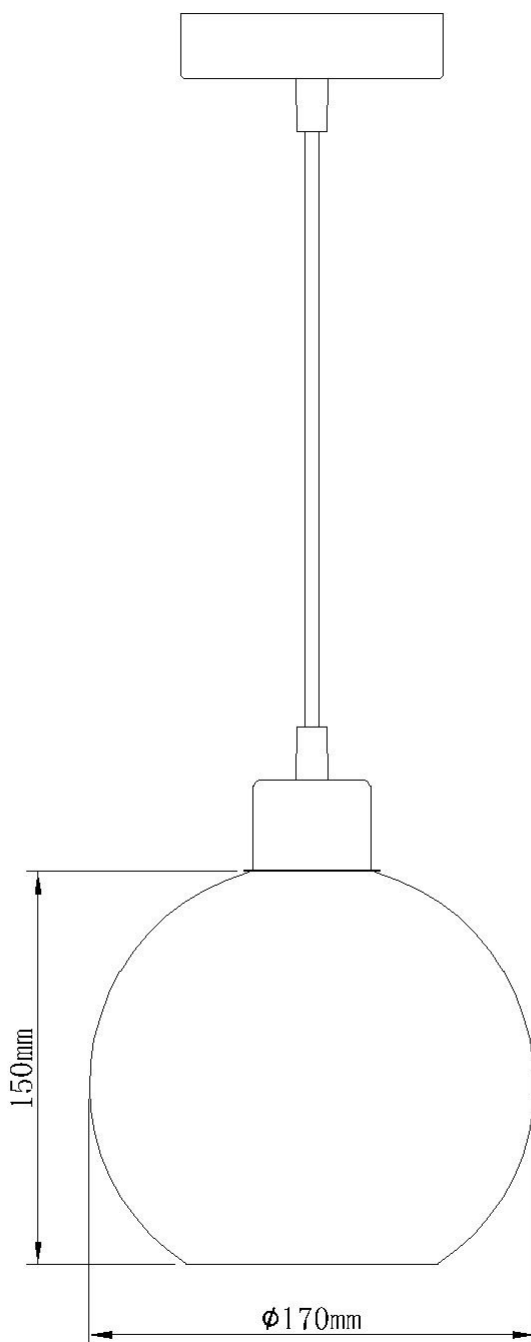
CERTIFICATION



CONTACT

www.firstchoicelighting.co.uk

info@firstchoicelighting.co.uk



CERTIFICATION



CONTACT

www.firstchoicelighting.co.uk

info@firstchoicelighting.co.uk