

Set of 2 Chrome Two Ball Table Lamps with Royal Blue Shades



## LIGHT SOURCE DATA

- 2 x 10W Max LED E14 SES (required)
- Lamp direction - Indirect
- Lamp shape - Standard
- Non-dimmable
- Energy class: Not applicable

## DIMENSION DATA

- Height 350mm
- Diameter 200mm
  
- Weight 0.70kg

## SPECIFICATION

- Manufacturer warranty for 2 years from date of purchase
- Polished chrome plate with clear acrylic detail and textured royal blue cotton
- IP20
- In-line On/Off Switch
- Class II - Double Insulated, No Earth
- 240V
- Assembly required? No
- UKCA Marking, Energy Efficient, Energy Saving

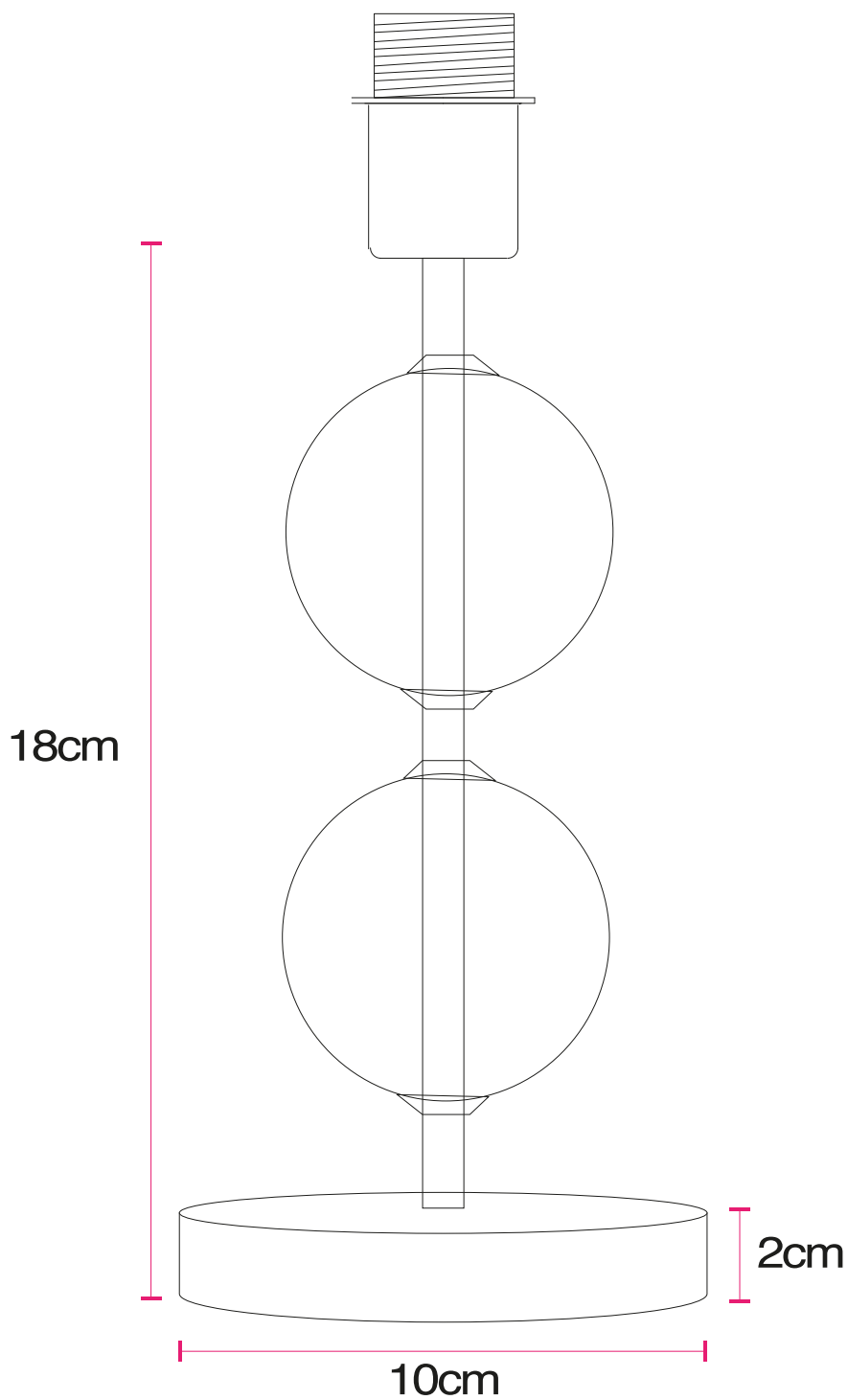
## CERTIFICATION



## CONTACT

[www.firstchoicelighting.co.uk](http://www.firstchoicelighting.co.uk)

[info@firstchoicelighting.co.uk](mailto:info@firstchoicelighting.co.uk)



## CERTIFICATION



## CONTACT

[www.firstchoicelighting.co.uk](http://www.firstchoicelighting.co.uk)

[info@firstchoicelighting.co.uk](mailto:info@firstchoicelighting.co.uk)