

Set of 2 Chrome Two Ball Table Lamps with Ochre Yellow Shades



LIGHT SOURCE DATA

- 2 x 10W Max LED E14 SES (required)
- Lamp direction - Indirect
- Lamp shape - Standard
- Non-dimmable
- Energy class: Not applicable

DIMENSION DATA

- Height 350mm
- Diameter 200mm

- Weight 0.70kg

SPECIFICATION

- Manufacturer warranty for 2 years from date of purchase
- Polished chrome plate with clear acrylic detail and textured ochre cotton
- IP20
- In-line On/Off Switch
- Class II - Double Insulated, No Earth
- 240V
- Assembly required? No
- UKCA Marking, Energy Efficient, Energy Saving

CERTIFICATION



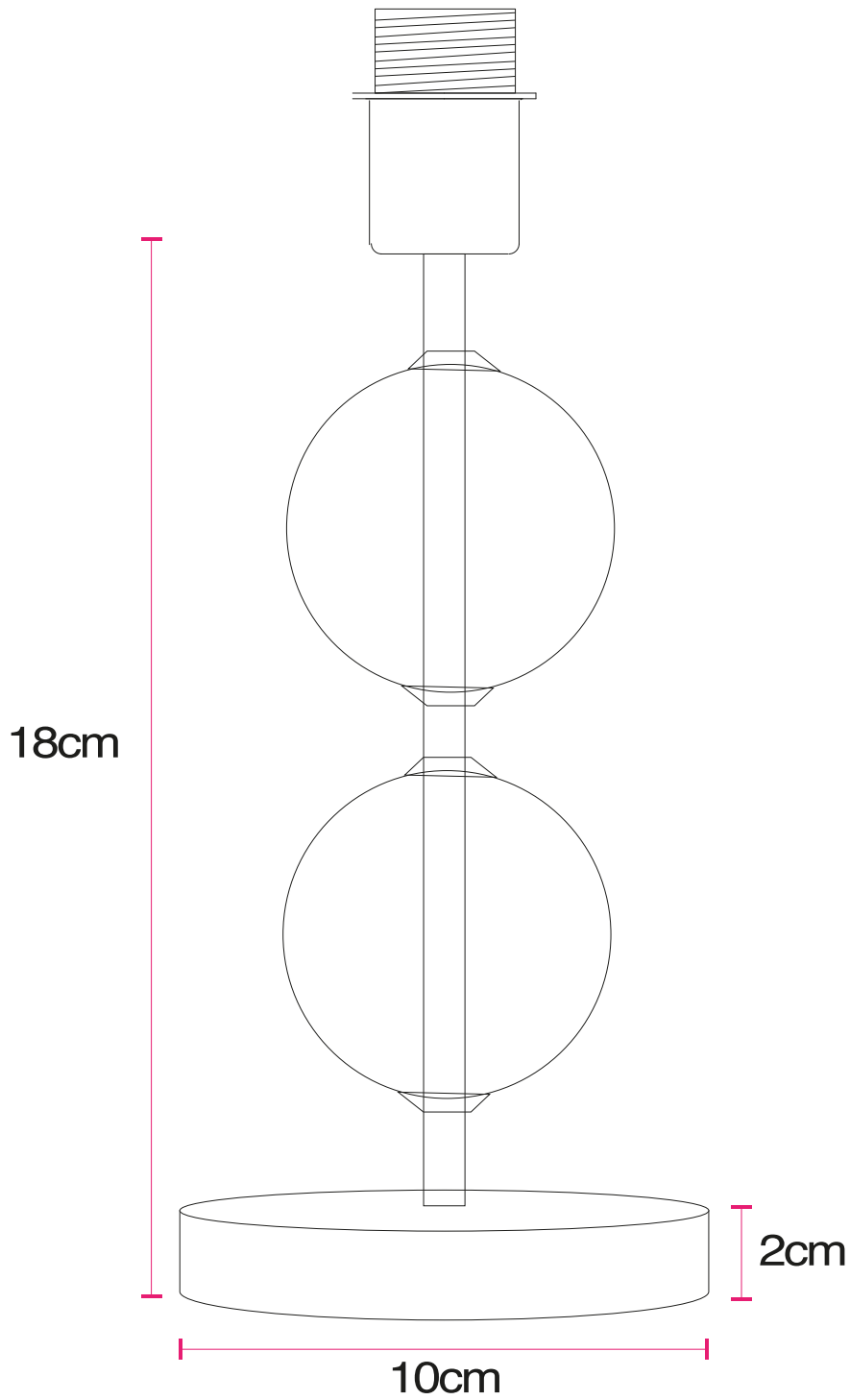
CONTACT

www.firstchoicelighting.co.uk

info@firstchoicelighting.co.uk

FCL-25911_28247X2

Set of 2 Chrome Two Ball Table Lamps with Ochre Yellow Shades



CERTIFICATION



CONTACT

www.firstchoicelighting.co.uk

info@firstchoicelighting.co.uk

ISSUE DATE 05/11/2025

PAGE 2