

Set of 2 Brea - Chrome 3 Light Fittings with Burgundy Fern Shades



LIGHT SOURCE DATA

- 6 x 40W Max E14 SES (required)
- Lamp shape - Standard
- Dimmable
- Energy class: Not applicable

DIMENSION DATA

- Height 425mm
- Diameter 520mm
- Weight 1.50kg

SPECIFICATION

- Manufacturer warranty for 2 years from date of purchase
- Polished chrome plate and burgundy cotton with gold inner detail
- IP20
- No
- Class II - Double Insulated, No Earth
- 240V
- Assembly required? No
- UKCA Marking, Energy Efficient, Energy Saving

CERTIFICATION



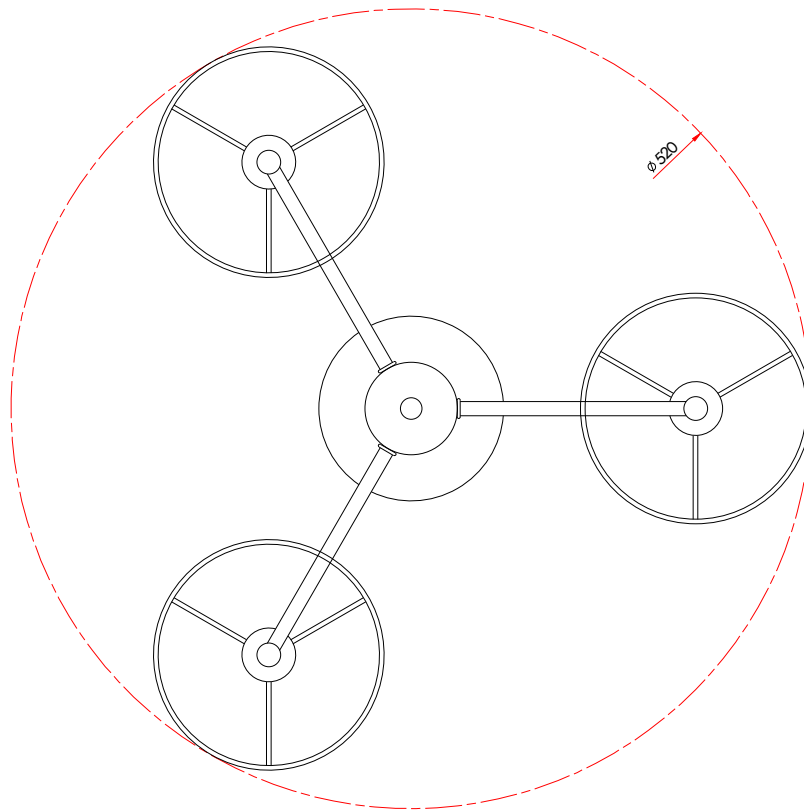
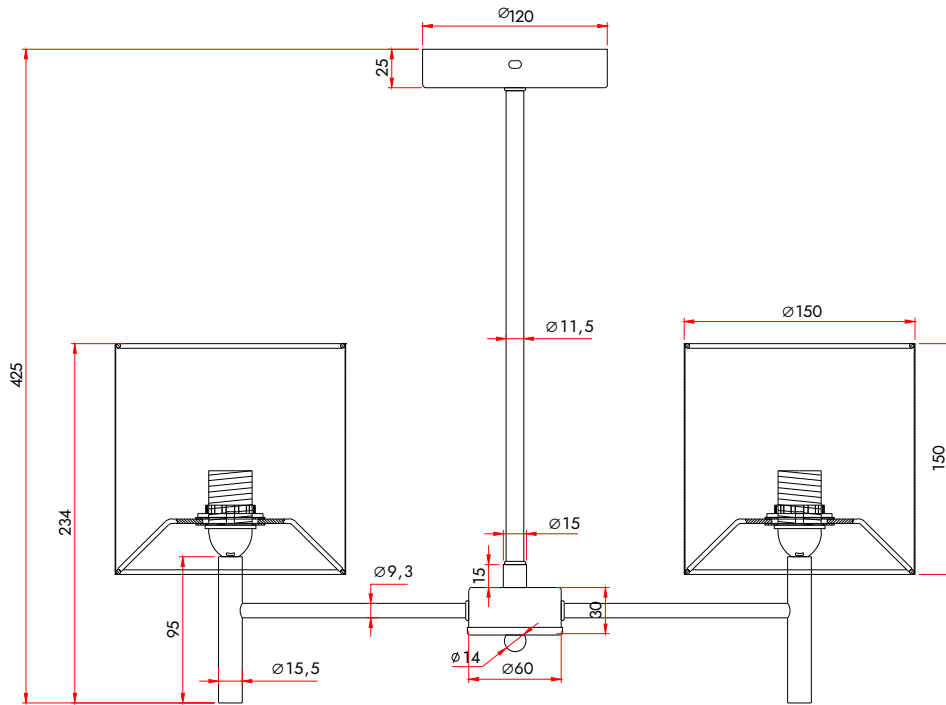
CONTACT

www.firstchoicelighting.co.uk

info@firstchoicelighting.co.uk

FCL-26056_30096X2

Set of 2 Brea - Chrome 3 Light Fittings with Burgundy Fern Shades



CERTIFICATION



CONTACT

www.firstchoicelighting.co.uk

info@firstchoicelighting.co.uk

ISSUE DATE 26/08/2025

PAGE 2