

Set of 2 Brea - Antique Brass 3 Light Fittings with Burgundy Shades



## LIGHT SOURCE DATA

- 6 x 40W Max E14 SES (required)
- Lamp shape - Standard
- Dimmable
- Energy class: Not applicable

## DIMENSION DATA

- Height 425mm
- Diameter 520mm
- Weight 1.50kg

## SPECIFICATION

- Manufacturer warranty for 2 years from date of purchase
- Antique brass plate and burgundy cotton with gold inner detail
- IP20
- No
- Class II - Double Insulated, No Earth
- 240V
- Assembly required? No
- UKCA Marking, Energy Efficient, Energy Saving

## CERTIFICATION

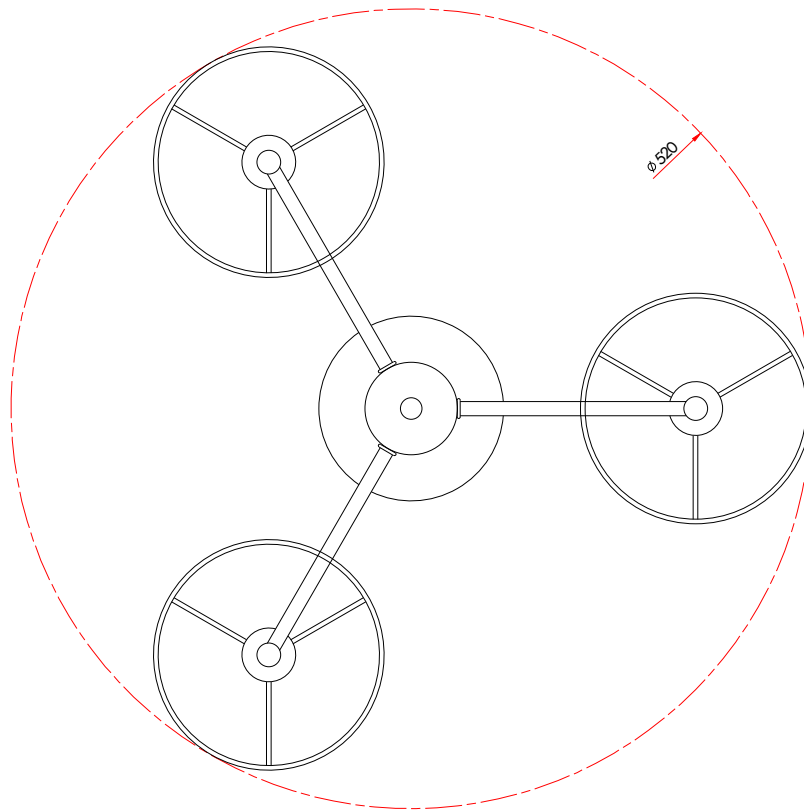
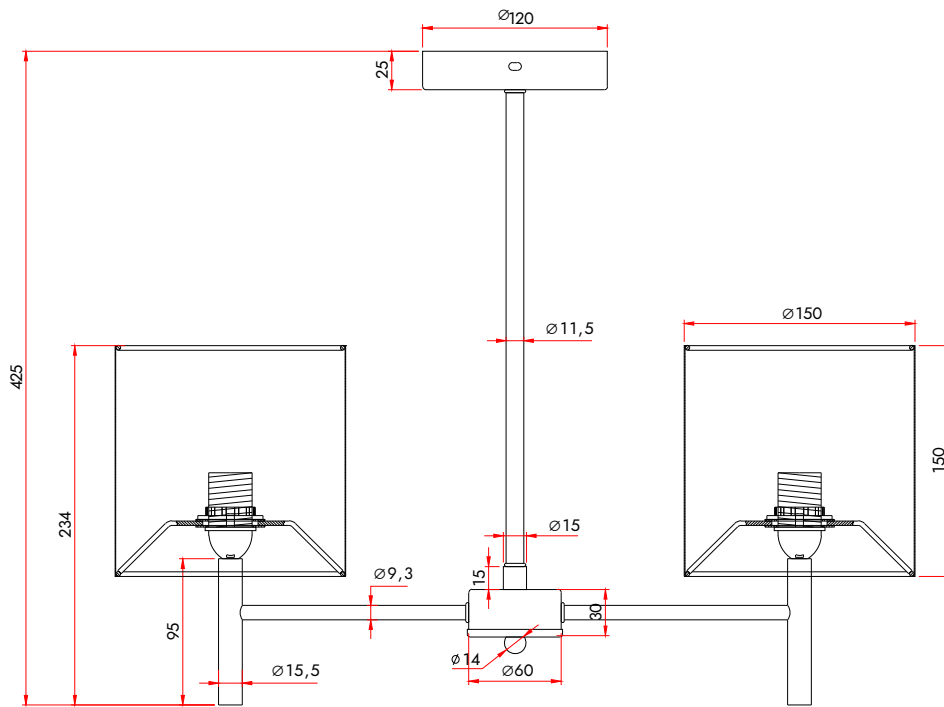


## CONTACT

[www.firstchoicelighting.co.uk](http://www.firstchoicelighting.co.uk)

[info@firstchoicelighting.co.uk](mailto:info@firstchoicelighting.co.uk)

Set of 2 Brea - Antique Brass 3 Light Fittings with Burgundy Shades



## CERTIFICATION



## CONTACT

[www.firstchoicelighting.co.uk](http://www.firstchoicelighting.co.uk)

[info@firstchoicelighting.co.uk](mailto:info@firstchoicelighting.co.uk)

ISSUE DATE 05/11/2025

PAGE 2