

Hinkley Lighting - Beacon Hill - HK-BEACON-HILL-S-MB - Black Clear Seeded Glass IP44 Outdoor Half Lantern Wall Light



REFERENCE

- SKU: FCL-26070
- Supplier SKU: HK-BEACON-HILL-S-MB
- Barcode: 5024005012122

DESCRIPTION

Taking inspiration from an English lantern, Beacon Hill achieves a timeless aesthetic. Part of the Heritage collection, this traditional style features a striking Museum Black aluminum frame. The heavily seeded glass pays homage to its Old World charm.

CATEGORY

- Brand: Hinkley Lighting
- Family: Beacon Hill
- Category: Outdoor Lighting / Wall / Half Lantern

APPEARANCE

- Base: Museum Black Paint
- Shade: Clear Seeded Glass

DIMENSION

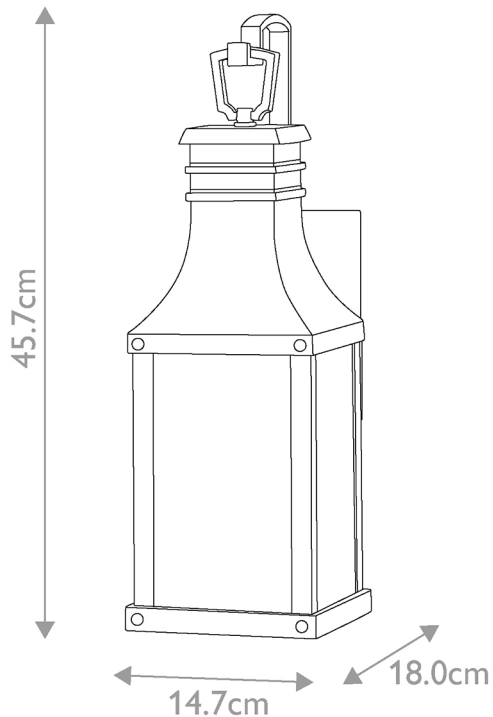
- Height: 457mm
- Width: 147mm
- Depth: 180mm
- Weight: 2.6kg

LIGHT SOURCE

- Lamp included: No
- Lamp detail: 60W Max E27 ES (required)
- Dimmable
- Energy class: Not applicable
- Switch: No

SPECIFICATION

- Ingress protection: IP44
- Class: Class I - Single Insulated, Earthed
- Voltage: 240V



CONTACT