

Hinkley Lighting - Masthead - HK-MASTHEAD2-PCBK - Chrome Black Clear Glass 2 Light IP44 Bathroom Wall Light

REFERENCE

- SKU: FCL-26076
- Supplier SKU: HK-MASTHEAD2-PCBK
- Barcode: 5024005012252

DESCRIPTION

Masthead makes itself right at home with a unique transitional design that effortlessly injects nautical chic flair into a variety of décors. Contrasting finishes combine with sleek lines and a commanding profile to leave a lasting impression.

CATEGORY

- Brand: Hinkley Lighting
- Family: Masthead
- Category: Bathroom Lighting / Wall / Strip

APPEARANCE

- Base: Polished Chrome Plate
- Shade: Clear Glass
- Detail: Black Paint

DIMENSION

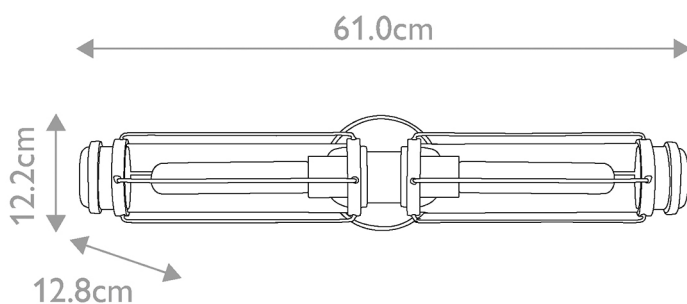
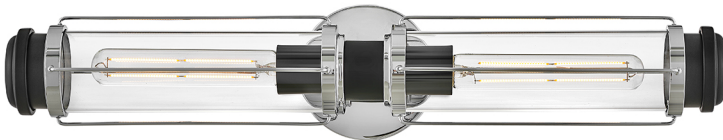
- Height: 122mm
- Width: 610mm
- Depth: 128mm
- Weight: 2.1kg

LIGHT SOURCE

- Lamp included: No
- Lamp detail: 2 x 40W Max E27 ES (required)
- Dimmable
- Energy class: Not applicable
- Switch: No

SPECIFICATION

- Ingress protection: IP44
- Class: Class I - Single Insulated, Earthed
- Voltage: 240V



CONTACT