

## Hinkley Lighting - Palma - HK-PALMA-M-BK - Black Clear Glass 2 Light IP44 Outdoor Wall Light



### REFERENCE

- SKU: FCL-26077
- Supplier SKU: HK-PALMA-M-BK
- Barcode: 5024005012177

### DESCRIPTION

Palma charmingly blends European elegance with timeless touches of the classic pineapple motif. Sophisticated and modern, Palma is infused with a dash of old-world glamour. This enduring design creates a balanced sensation of both refinement and ease as part of its overall appeal.

### CATEGORY

- Brand: Hinkley Lighting
- Family: Palma
- Category: Outdoor Lighting / Wall / Decorative

### APPEARANCE

- Base: Black Paint
- Shade: Clear Glass

### DIMENSION

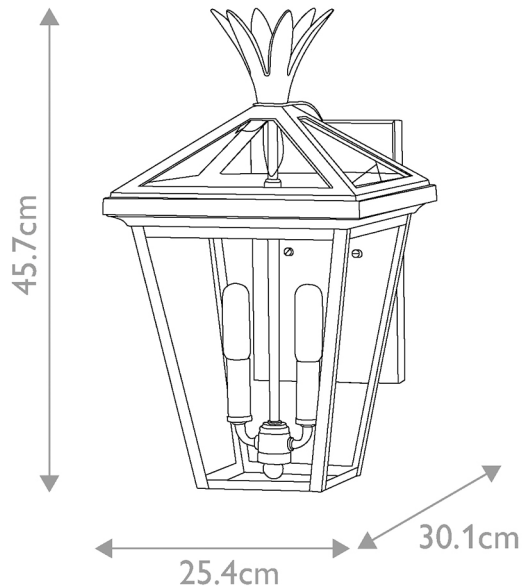
- Height: 457mm
- Width: 254mm
- Depth: 301mm
- Weight: 3.8kg

### LIGHT SOURCE

- Lamp included: No
- Lamp detail: 2 x 40W Max E14 SES (required)
- Dimmable
- Energy class: Not applicable
- Switch: No

### SPECIFICATION

- Ingress protection: IP44
- Class: Class I - Single Insulated, Earthed
- Voltage: 240V



### CONTACT