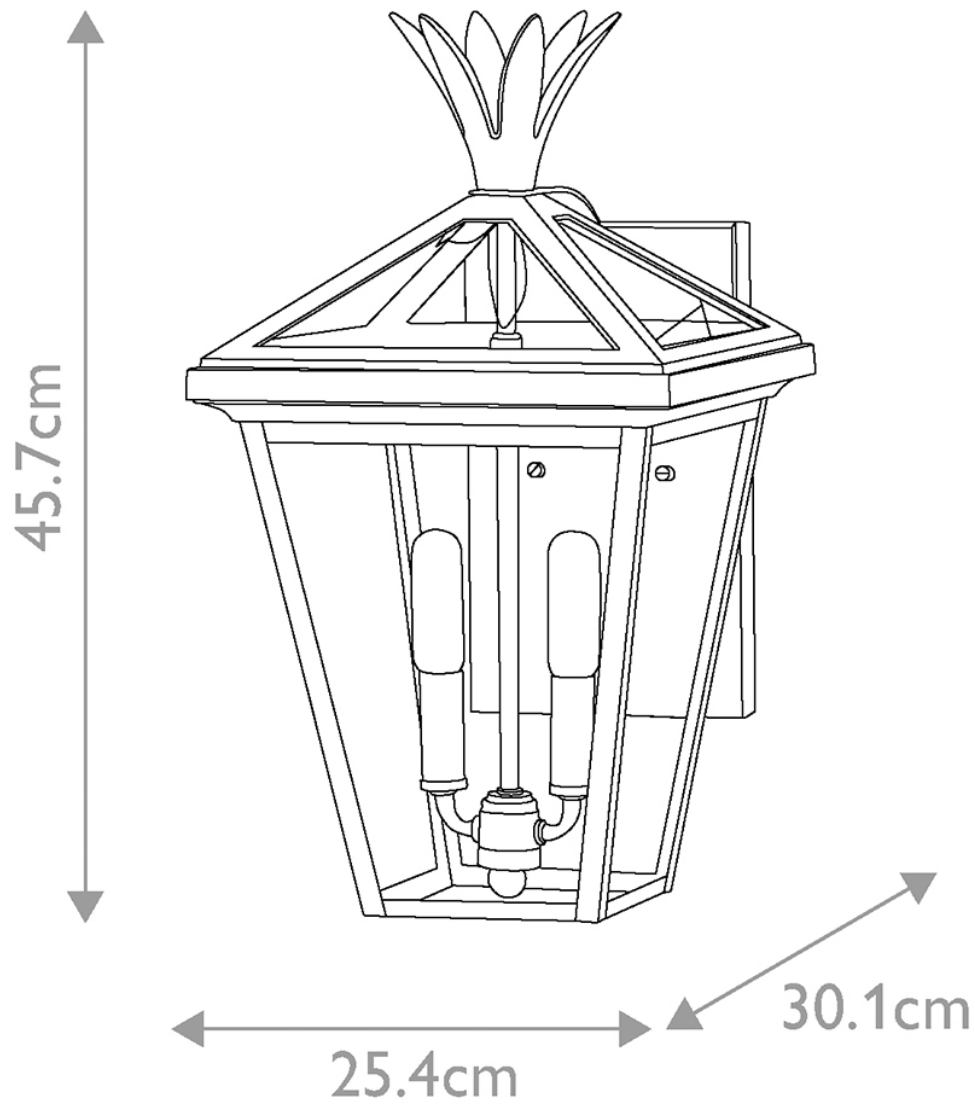


Hinkley Lighting - Palma - HK-PALMA-M-BU - Burnished Bronze Clear Glass 2 Light IP44 Outdoor Wall Light



CONTACT