

Elstead Lighting - Winchfield - WINCHFIELD-PLM-PN-WM - Nickel White Marble 2 Light Picture Wall Light

REFERENCE

- SKU: FCL-26115
- Supplier SKU: WINCHFIELD-PLM-PN-WM
- Barcode: 5024005169246

DESCRIPTION

The Winchfield family of picture lights bring a Mid Century Modern look and feel to this category with their elegantly curved shades. Available in Aged Brass with additional options of Matte Black and Oak Effect shades and backplates, as well as a unique Polished Nickel and White Marble effect finish provides a palette to suit a wide variety of interiors. The heavy steel frame with adjustable arms and beautifully plated finishes offer a level of quality and style fit for the finest homes.

CATEGORY

- Brand: Elstead Lighting
- Family: Winchfield
- Category: Indoor Lighting / Wall / Picture

APPEARANCE

- Base: Polished Nickel Plate
- Detail: White Marble Effect

DIMENSION

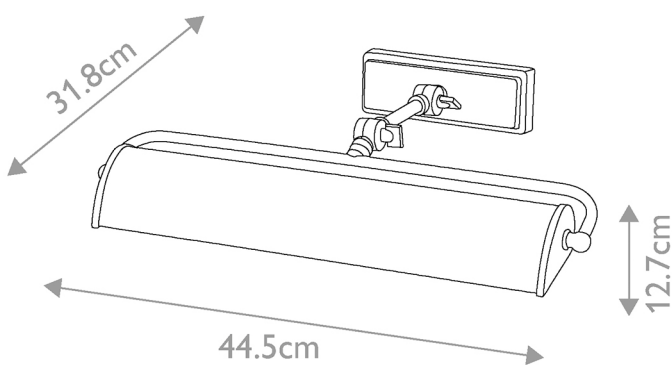
- Height: 127mm
- Width: 445mm
- Depth: 318mm
- Weight: 1.5kg

LIGHT SOURCE

- Lamp included: No
- Lamp detail: 2 x 40W Max E14 SES (required)
- Dimmable
- Energy class: Not applicable
- Switch: No

SPECIFICATION

- Ingress protection: IP20
- Class: Class I - Single Insulated, Earthed
- Voltage: 240V



CONTACT