

Set of 2 Maurice - Antique Gold Mouse Table Lamps Oatmeal Linen Shade



LIGHT SOURCE DATA

- 2 x 25W Max E14 SES (required)
- Lamp direction - Indirect
- Lamp shape - Standard
- Non-dimmable
- Energy class: Not applicable

DIMENSION DATA

- Height 425mm
- Diameter 170mm

- Weight 0.56kg

SPECIFICATION

- Manufacturer warranty for 2 years from date of purchase
- Antique gold resin and oatmeal linen
- IP20
- In-line On/Off Switch
- Class II - Double Insulated, No Earth
- 240V
- Assembly required? No
- UKCA Marking, Energy Efficient, Energy Saving

CERTIFICATION



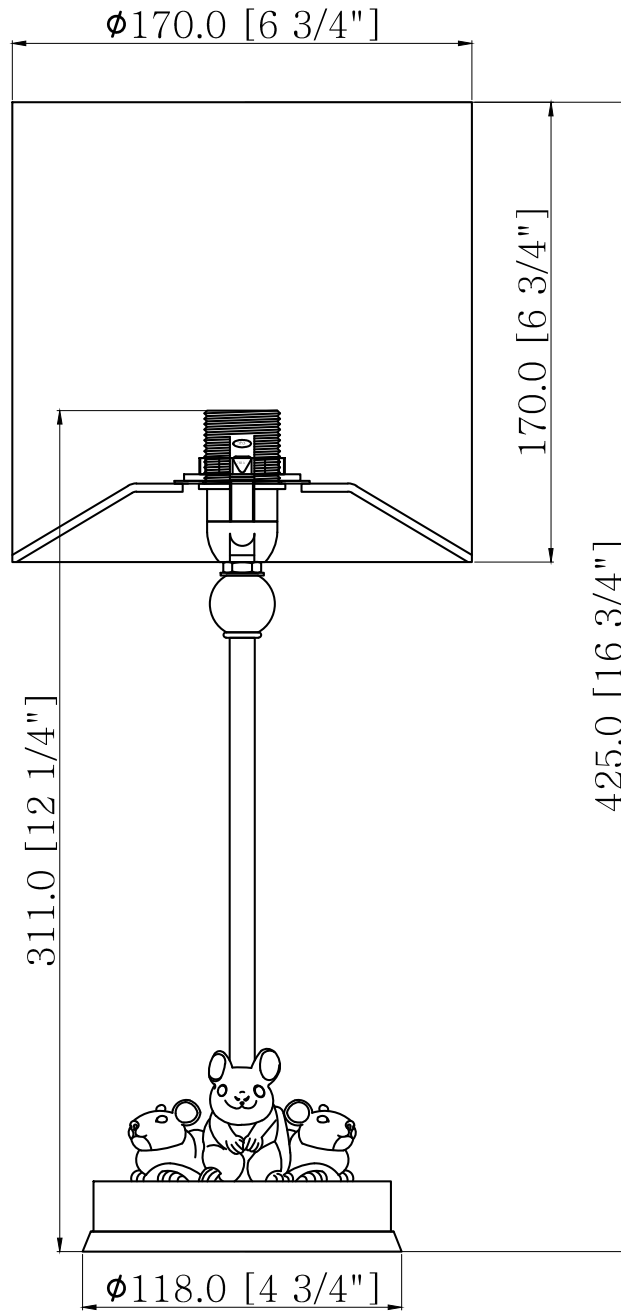
CONTACT

www.firstchoicelighting.co.uk

info@firstchoicelighting.co.uk

FCL-26151X2

Set of 2 Maurice - Antique Gold Mouse Table Lamps Oatmeal Linen Shade



CERTIFICATION



CONTACT

www.firstchoicelighting.co.uk

info@firstchoicelighting.co.uk