

Romana - Brushed Chrome Touch Table Lamp with Green Velvet Shade



LIGHT SOURCE DATA

- 25W Max E14 SES (required)
- Lamp direction - Indirect
- Lamp shape - Standard
- Dimmer included
- Energy class: Not applicable

DIMENSION DATA

- Height 300mm
- Diameter 155mm
- Weight 0.30kg

SPECIFICATION

- Manufacturer warranty for 2 years from date of purchase
- Satin nickel plate and dark green velvet
- IP20
- Touch 3 Stage Dimmer Switch
- Class II - Double Insulated, No Earth
- 240V
- Assembly required? No
- UKCA Marking, Energy Efficient, Energy Saving

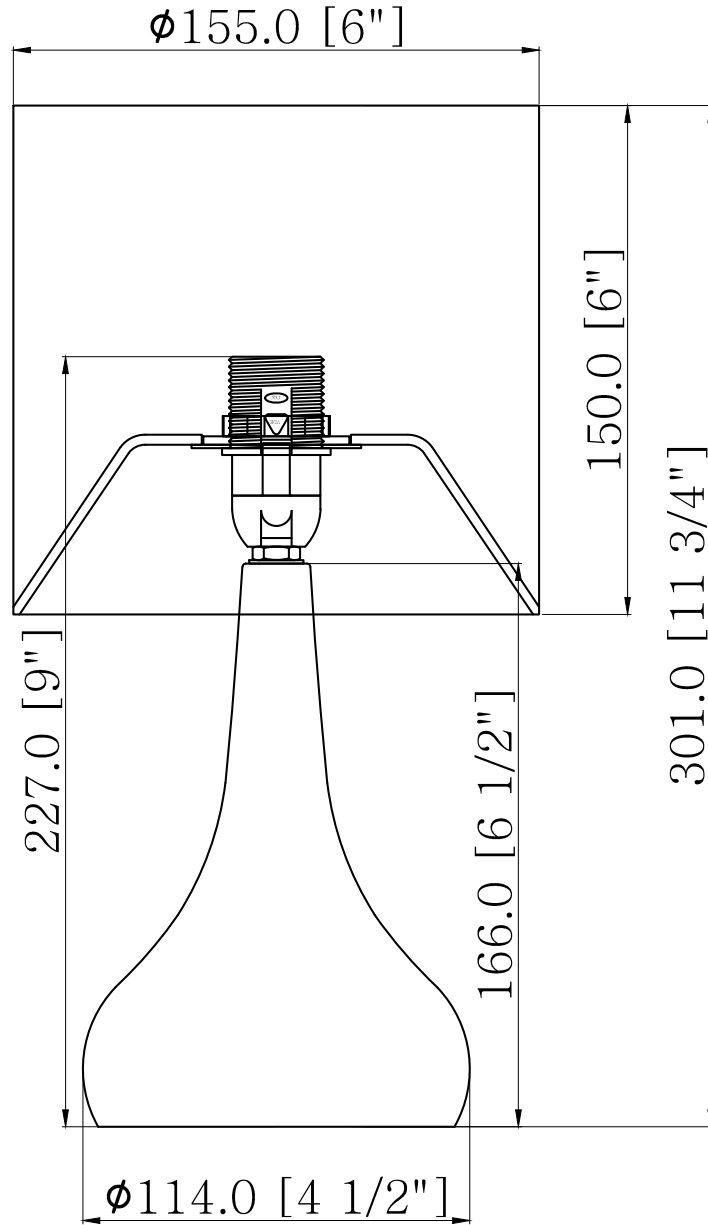
CERTIFICATION



CONTACT

www.firstchoicelighting.co.uk

info@firstchoicelighting.co.uk



CERTIFICATION



CONTACT

www.firstchoicelighting.co.uk

info@firstchoicelighting.co.uk