

Set of 2 Bradson - Clear Swirl Glass Easy Fit Pendant Shades



LIGHT SOURCE DATA

- 2 x 40W Max B22 BC or E27 ES (required)
- Lamp direction - Indirect
- Lamp shape - Standard
- Dimmable
- Energy class: Not applicable

DIMENSION DATA

- Height 155mm
- Diameter 190mm

- Weight 0.74kg

SPECIFICATION

- Manufacturer warranty for 2 years from date of purchase
- Clear swirl glass
- IP20
- No
- 240V
- Assembly required? No
- UKCA Marking, Energy Efficient, Energy Saving

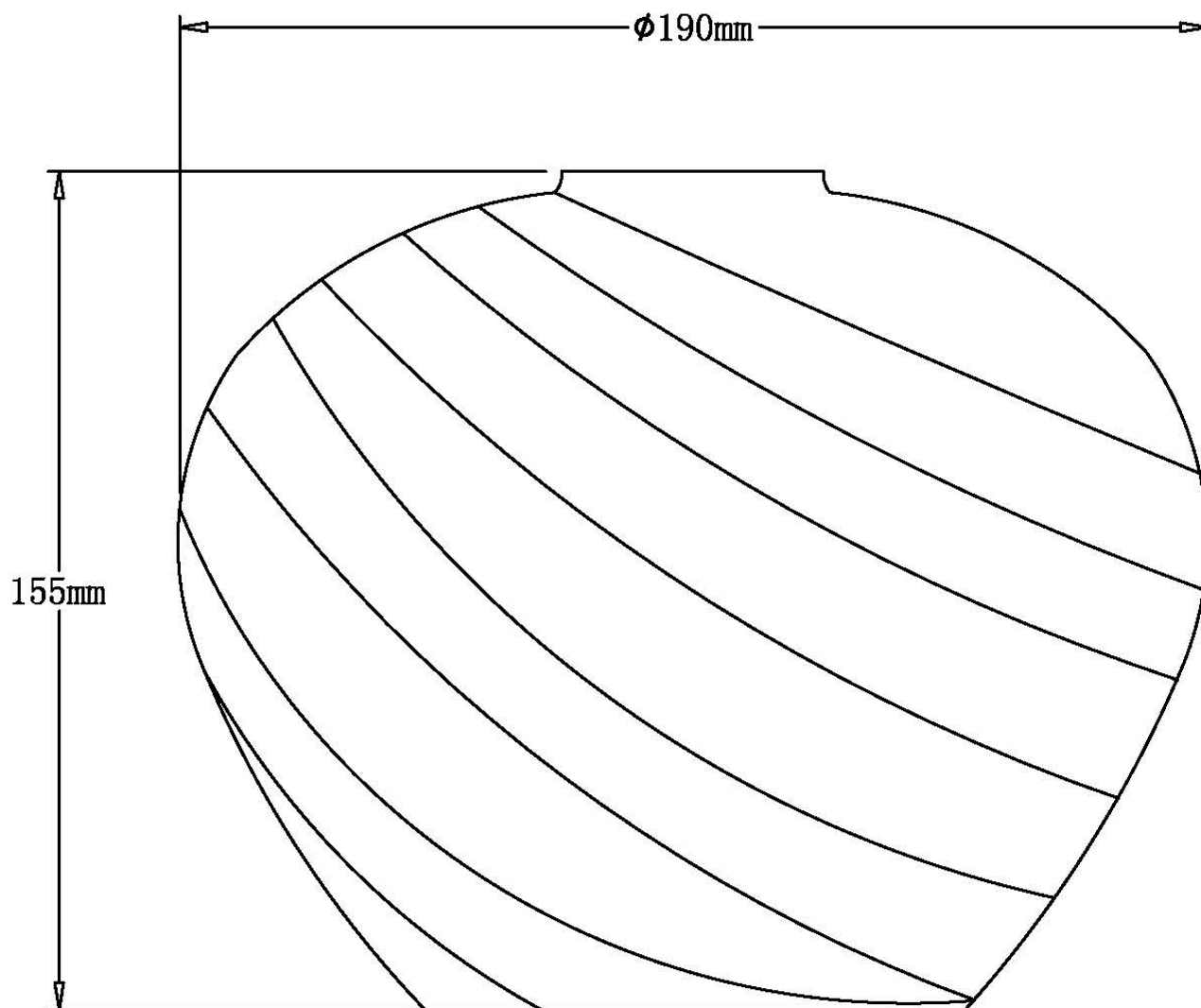
CERTIFICATION



CONTACT

www.firstchoicelighting.co.uk

info@firstchoicelighting.co.uk



CERTIFICATION



CONTACT

www.firstchoicelighting.co.uk

info@firstchoicelighting.co.uk