



LIGHT SOURCE DATA

- 60W Max E27 ES (required)
- Lamp direction - Indirect
- Lamp shape - Standard
- Dimmable
- Energy class: Not applicable

DIMENSION DATA

- Height 415mm
- Width 140mm
- Depth 190mm

- Weight 1.10kg

SPECIFICATION

- Manufacturer warranty for 2 years from date of purchase
- Black & hand brushed gold and clear glass with amber glass detail
- IP44
- No
- PIR Motion Sensor
- Class I - Single Insulated, Earthed
- 240V
- Assembly required? No
- UKCA Marking, Energy Efficient, Energy Saving

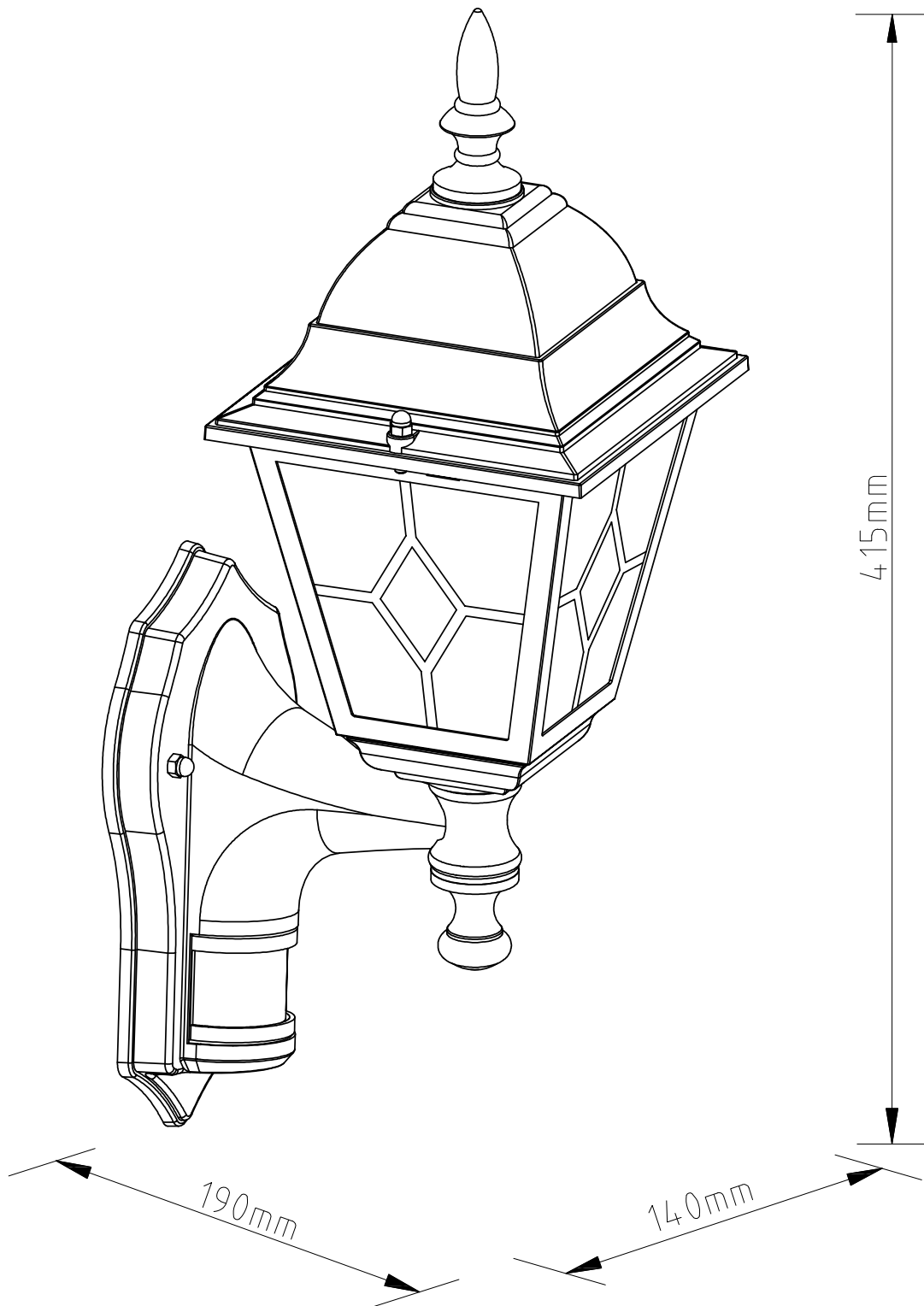
CERTIFICATION



CONTACT

www.firstchoicelighting.co.uk

info@firstchoicelighting.co.uk



CERTIFICATION



CONTACT

www.firstchoicelighting.co.uk

info@firstchoicelighting.co.uk