

Barty - Dark Green 38cm Tiered Pendant Shade



LIGHT SOURCE DATA

- 60W Max B22 BC or E27 ES (required)
- Lamp direction - Indirect
- Lamp shape - Standard
- Dimmable
- Energy class: Not applicable

DIMENSION DATA

- Height 300mm
- Diameter 380mm
- Weight 0.70kg

SPECIFICATION

- Manufacturer warranty for 2 years from date of purchase
- Dark green cotton
- IP20
- No
- 240V
- Assembly required? No
- UKCA Marking, Energy Efficient, Energy Saving

CERTIFICATION



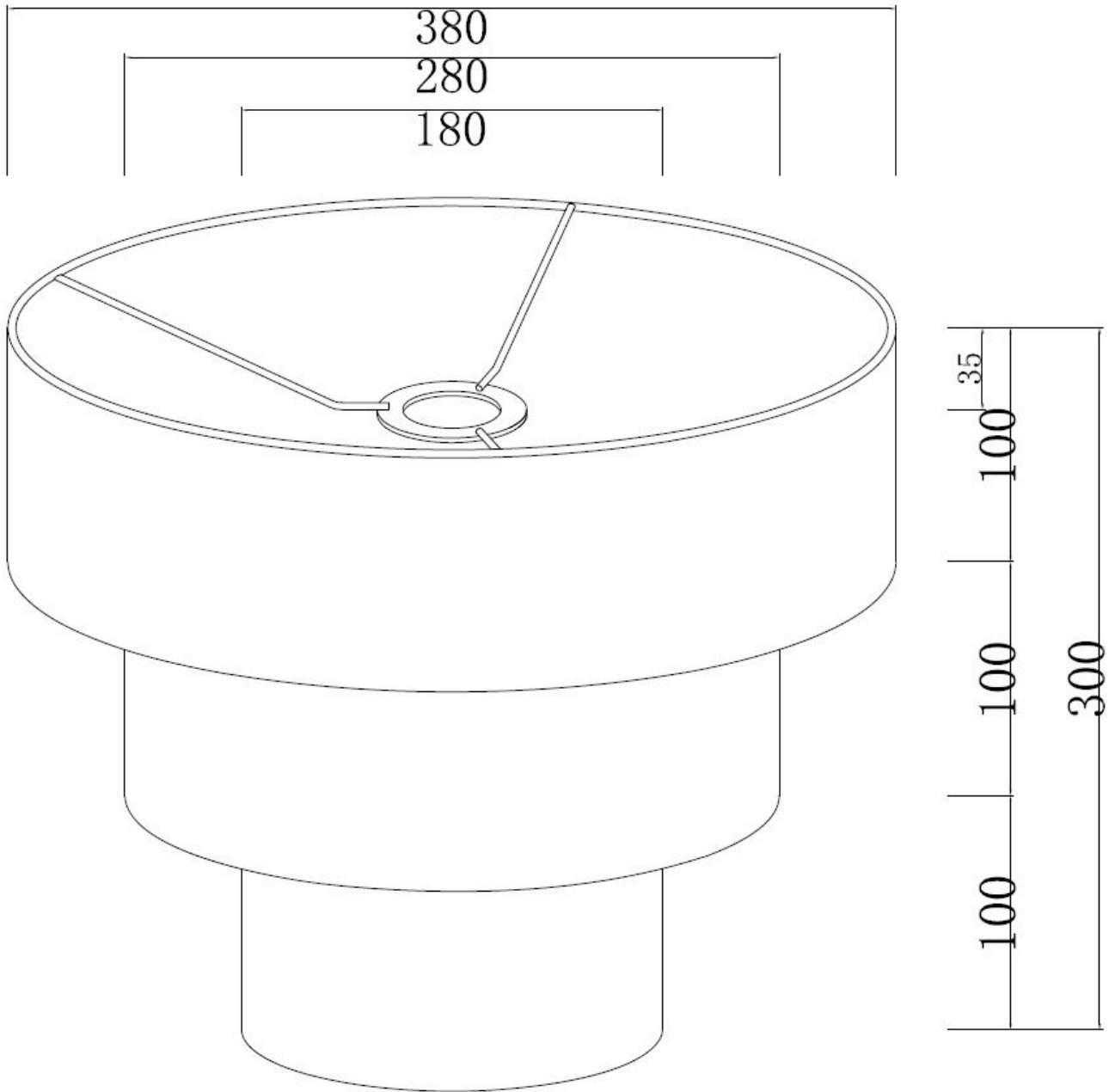
CONTACT

www.firstchoicelighting.co.uk

info@firstchoicelighting.co.uk

FCL-28511

Barty - Dark Green 38cm Tiered Pendant Shade



CERTIFICATION



CONTACT

www.firstchoicelighting.co.uk

info@firstchoicelighting.co.uk