

Craw - Clear Acrylic Pendant Shade



## LIGHT SOURCE DATA

- 6W Max B22 BC or E27 ES (required)
- Lamp direction - Indirect
- Lamp shape - Standard
- Dimmable
- Energy class: Not applicable

## DIMENSION DATA

- Height 240mm
- Diameter 240mm
  
- Weight 0.40kg

## SPECIFICATION

- Manufacturer warranty for 2 years from date of purchase
- Clear ribbed plastic
- IP20
- No
- 240V
- Assembly required? No
- UKCA Marking, Energy Efficient, Energy Saving

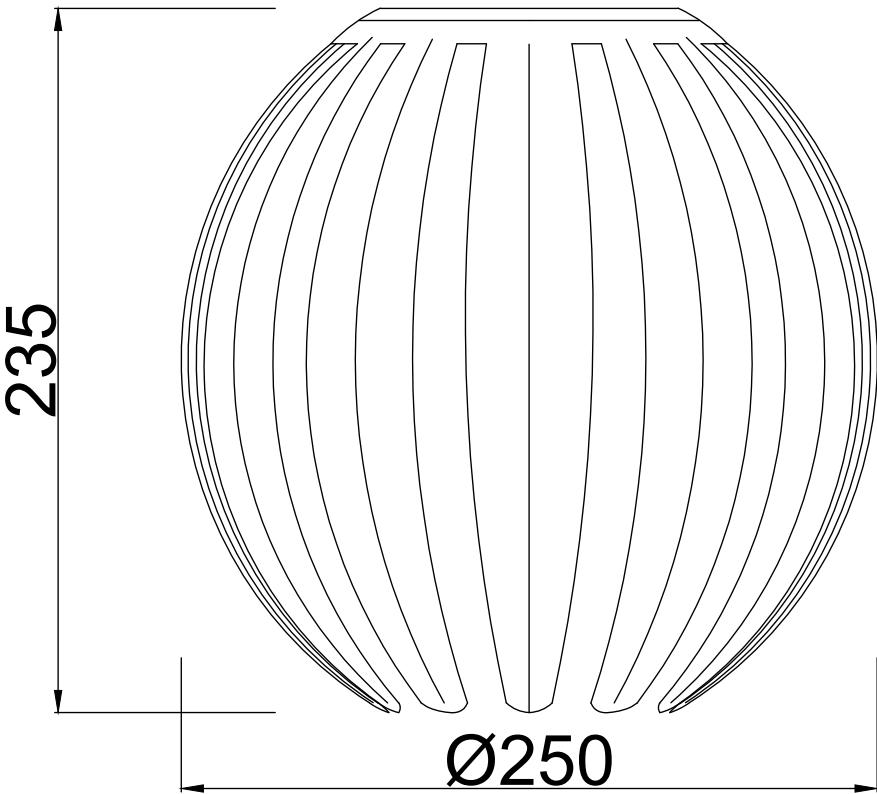
## CERTIFICATION



## CONTACT

[www.firstchoicelighting.co.uk](http://www.firstchoicelighting.co.uk)

[info@firstchoicelighting.co.uk](mailto:info@firstchoicelighting.co.uk)



**CERTIFICATION**



**CONTACT**

[www.firstchoicelighting.co.uk](http://www.firstchoicelighting.co.uk)

[info@firstchoicelighting.co.uk](mailto:info@firstchoicelighting.co.uk)