

Set of 2 Barnes - Clear 25cm Fluted Glass Pendant Shades



LIGHT SOURCE DATA

- 2 x 60W Max B22 BC or E27 ES (required)
- Lamp direction - Indirect
- Lamp shape - Standard
- Dimmable
- Energy class: Not applicable

DIMENSION DATA

- Height 120mm
- Diameter 250mm

- Weight 0.70kg

SPECIFICATION

- Manufacturer warranty for 2 years from date of purchase
- Clear ribbed glass
- IP20
- No
- 240V
- Assembly required? No
- UKCA Marking, Energy Efficient, Energy Saving

CERTIFICATION



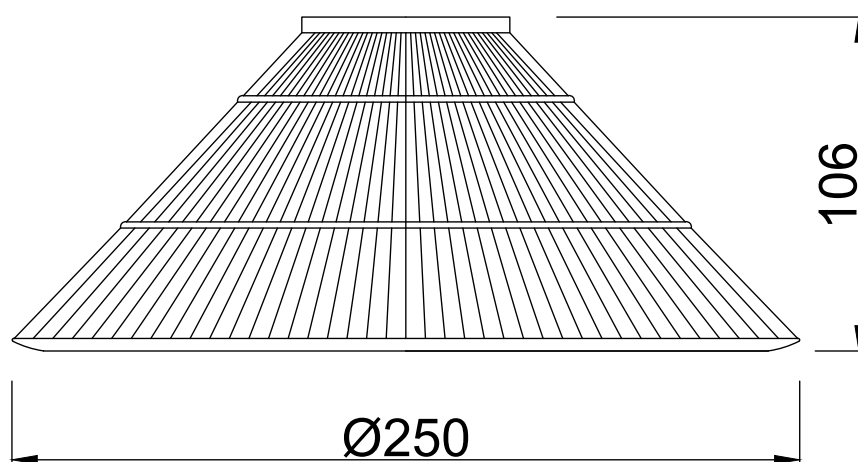
CONTACT

www.firstchoicelighting.co.uk

info@firstchoicelighting.co.uk

FCL-28625X2

Set of 2 Barnes - Clear 25cm Fluted Glass Pendant Shades



CERTIFICATION



CONTACT

www.firstchoicelighting.co.uk

info@firstchoicelighting.co.uk

ISSUE DATE 01/09/2025

PAGE 2