

Set of 2 Victoria - Black Touch Lamps with Frosted Glass Shades



## LIGHT SOURCE DATA

- 2 x 7W Max LED E14 SES (required)
- Lamp direction - Indirect
- Lamp shape - Conical/Candelabra/Candle
- Dimmer included
- Energy class: Not applicable

## DIMENSION DATA

- Height 470mm
- Diameter 150mm
  
- Weight 1.18kg

## SPECIFICATION

- Manufacturer warranty for 1 year from date of purchase
- Black and frosted glass
- IP20
- Touch 3 Stage Dimmer Switch
- Class II - Double Insulated, No Earth
- 240V
- Assembly required? No
- UKCA Marking, Energy Efficient, Energy Saving

## CERTIFICATION



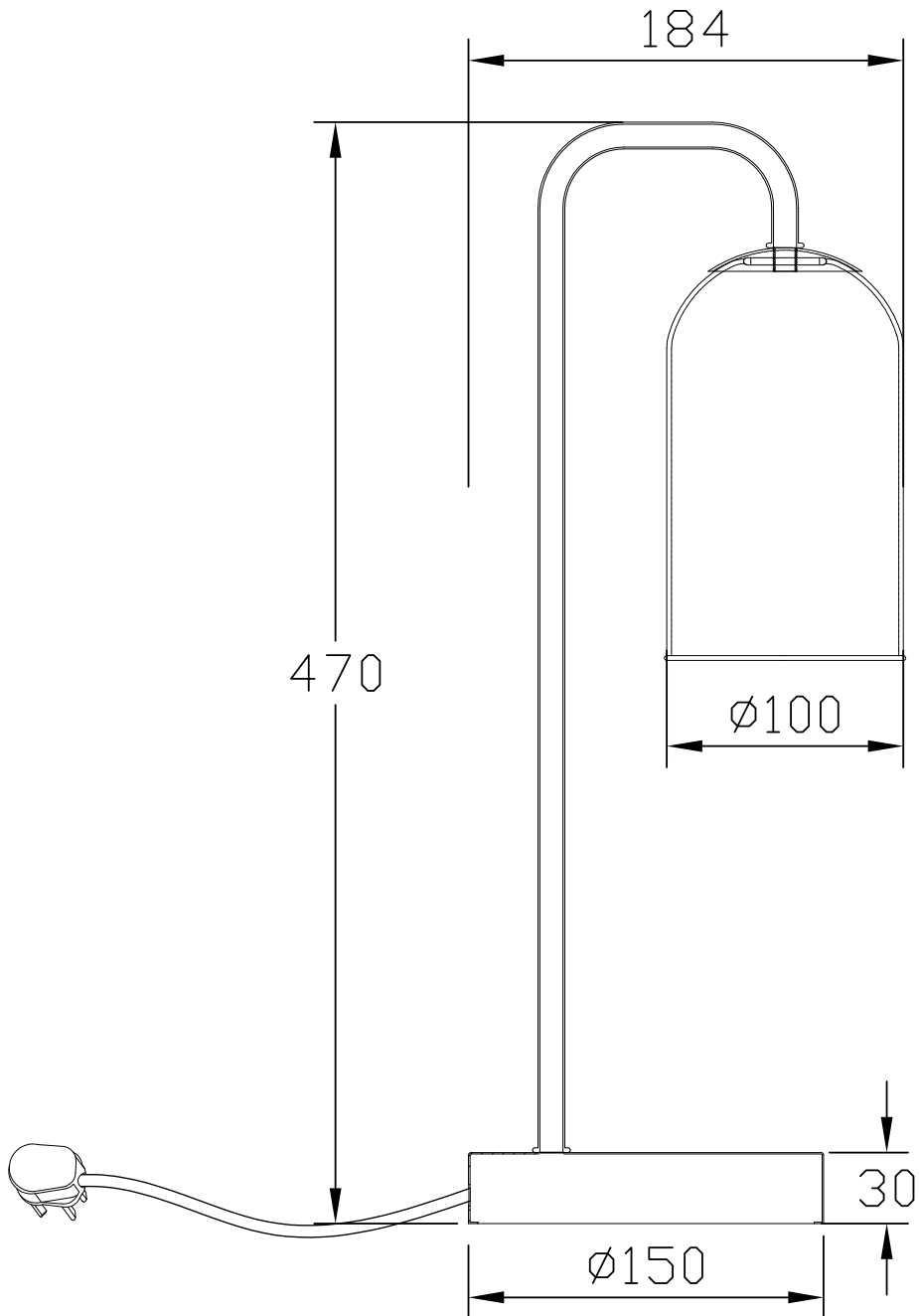
## CONTACT

[www.firstchoicelighting.co.uk](http://www.firstchoicelighting.co.uk)

[info@firstchoicelighting.co.uk](mailto:info@firstchoicelighting.co.uk)

# FCL-30109X2

Set of 2 Victoria - Black Touch Lamps with Frosted Glass Shades



## CERTIFICATION



## CONTACT

[www.firstchoicelighting.co.uk](http://www.firstchoicelighting.co.uk)

[info@firstchoicelighting.co.uk](mailto:info@firstchoicelighting.co.uk)

ISSUE DATE 05/11/2025

PAGE 2