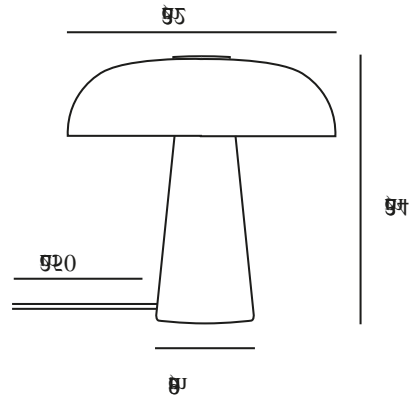


# GLOSSY MINI | TABLE LAMP | PINK

2520015057



Voltage (V): 220-240 Volt  
IP degree: IP20  
Maximum bulb wattage (W): 15  
Class (Class 1, Class 2, Class 3):  
Class 2 (Double isolated)  
Socket type: E14  
Switch placement: On the cable  
Parallel connection: False

Primary material: Pink Jade  
Secondary material: Glass  
Colour of the cable: White  
Length of the cable (cm): 250  
Surface material of the cable:  
Textile  
Is the cable replaceable: False  
Colour: Pink

Height (cm): 24.3  
Width (cm): 22  
Shade Diameter (cm): 22.3  
Outdoor base dimension (cm): 9.3  
Length (cm): 22.3

EAN: 5704924024009  
Item Number: 2520015057  
Pcs Per Master Carton: 3

Sales Box Height (cm): 43  
Sales Box Width(cm): 31.5  
Sales Box Depth (cm): 15  
Sales Box Volume m<sup>3</sup> : 0.0203  
Product net weight (kg): 2.846

- Sophisticated minimalist design • Exclusive jade, glass and brushed brass
- Soft, diffused light through the opalised glass • A miniature version that is perfect for smaller spaces

Glossy is the epitome of tasteful and sophisticated design. Danish designer Maria Berntsen has created a "mini version" of the classic table lamp that oozes Nordic minimalism, and where exclusive materials like jade, brass and opal white glass all contribute to an incredibly elegant design. Glossy takes its name from the shiny surface of the opal white glass, which lets a soft and pleasant light shine through.

Pink jade is a rare variety of jade and therefore lines, colours and patterns may vary from lamp to lamp. This is part of the charm of working with natural materials.