

Set of 2 Pyramid - Black LED Outdoor Motion Sensor Wall Lights



LIGHT SOURCE DATA

- 2 x 3W LED (included)
- Lamp direction - Indirect
- Lamp shape - LED
- Non-dimmable
- 3000K (Warm White)
- 400Lm
- 133.3Lm/W
- 30000 Lifettime
- Energy class: E
- 80 CRI

DIMENSION DATA

- Height 165mm
- Width 85mm
- Depth 130mm

- Weight 0.55kg

SPECIFICATION

- Manufacturer warranty for 2 years from date of purchase
- Black and clear PC
- IP44
- No
- PIR Motion Sensor
- Class I - Single Insulated, Earthed
- 240V
- Assembly required? No
- UKCA Marking, Energy Efficient, Energy Saving

CERTIFICATION



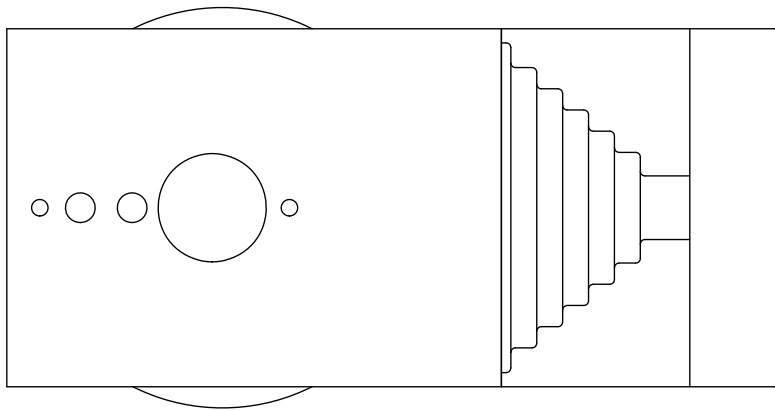
CONTACT

www.firstchoicelighting.co.uk

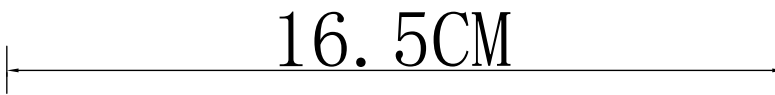
info@firstchoicelighting.co.uk

FCL-30352X2

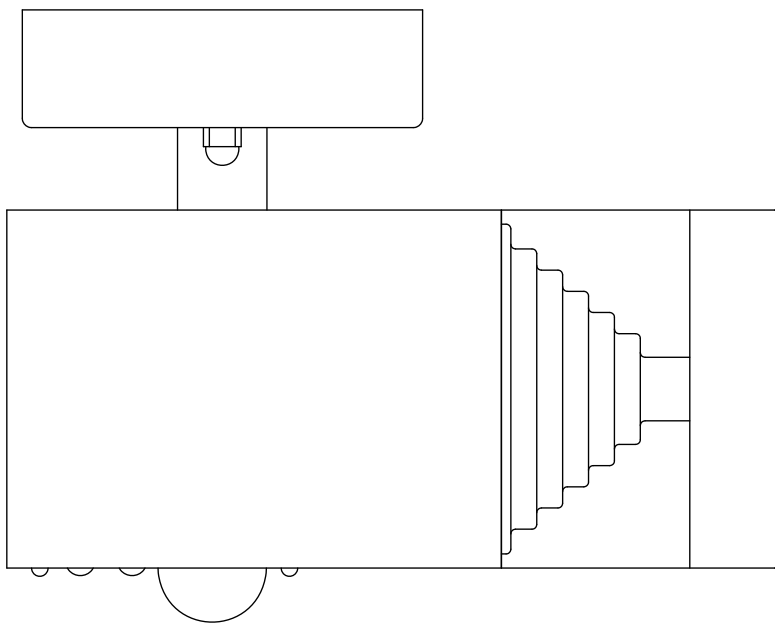
Set of 2 Pyramid - Black LED Outdoor Motion Sensor Wall Lights



Ø 8.5CM



16.5CM



13CM

CERTIFICATION



CONTACT

www.firstchoicelighting.co.uk

info@firstchoicelighting.co.uk