

Set of 10 - 30mm IP67 Cool White LED Decking Kit with Photocell



LIGHT SOURCE DATA

- 10 x 0.5W LED (included)
- Lamp direction - Upwards
- Lamp shape - LED
- Non-dimmable
- 6500K (Daylight White)
- 50Lm
- 10Lm/W
- 30000 Lifettime
- Energy class: Not applicable
- 80 CRI

DIMENSION DATA

- Height 26mm
- Diameter 30mm
- Mimimum cavity depth 30mm
- Cut out size 22mm
- Weight 0.64kg

SPECIFICATION

- Manufacturer warranty for 2 years from date of purchase
- Polished chrome plate and clear PC
- IP67
- No
- Dusk til Dawn Photocell Sensor
- Class II - Double Insulated, No Earth
- 240V mains voltage with 12V plug in driver
- Assembly required? No
- Please note this dusk til dawn sensor is only compatible with our decking kits.
- UKCA Marking, Energy Efficient, Energy Saving

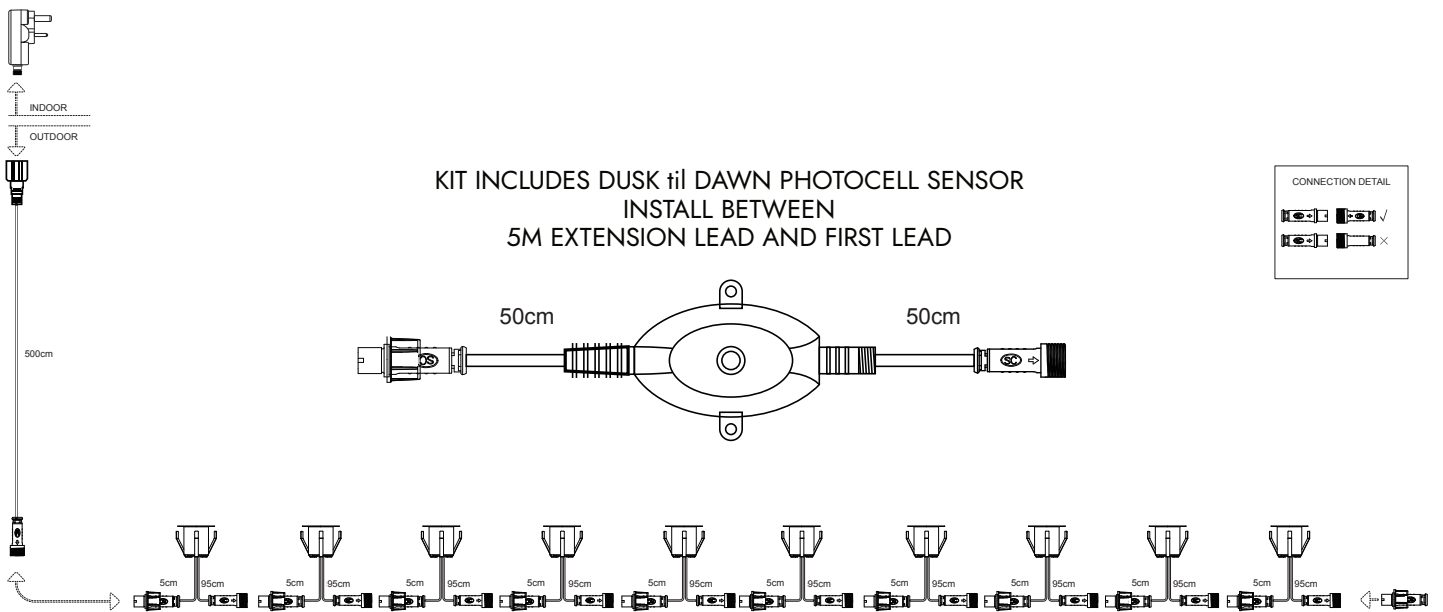
CERTIFICATION



CONTACT

www.firstchoicelighting.co.uk

info@firstchoicelighting.co.uk



CERTIFICATION



CONTACT

www.firstchoicelighting.co.uk

info@firstchoicelighting.co.uk