

Set of 2 Andros - White Plaster GU10 Wall Lights

---



## LIGHT SOURCE DATA

- 4 x 40W Max GU10 Halogen (required)
- Lamp direction - Upwards & Downwards
- Lamp shape - Reflector/Pear Shape
- Dimmable
- Energy class: Not applicable

## DIMENSION DATA

- Height 240mm
- Width 120mm
- Depth 140mm
  
- Weight 1.30kg

## SPECIFICATION

- Manufacturer warranty for 2 years from date of purchase
- White plaster
- IP20
- No
- Class II - Double Insulated, No Earth
- 240V
- Assembly required? No
- UKCA Marking, Energy Efficient, Energy Saving

## CERTIFICATION



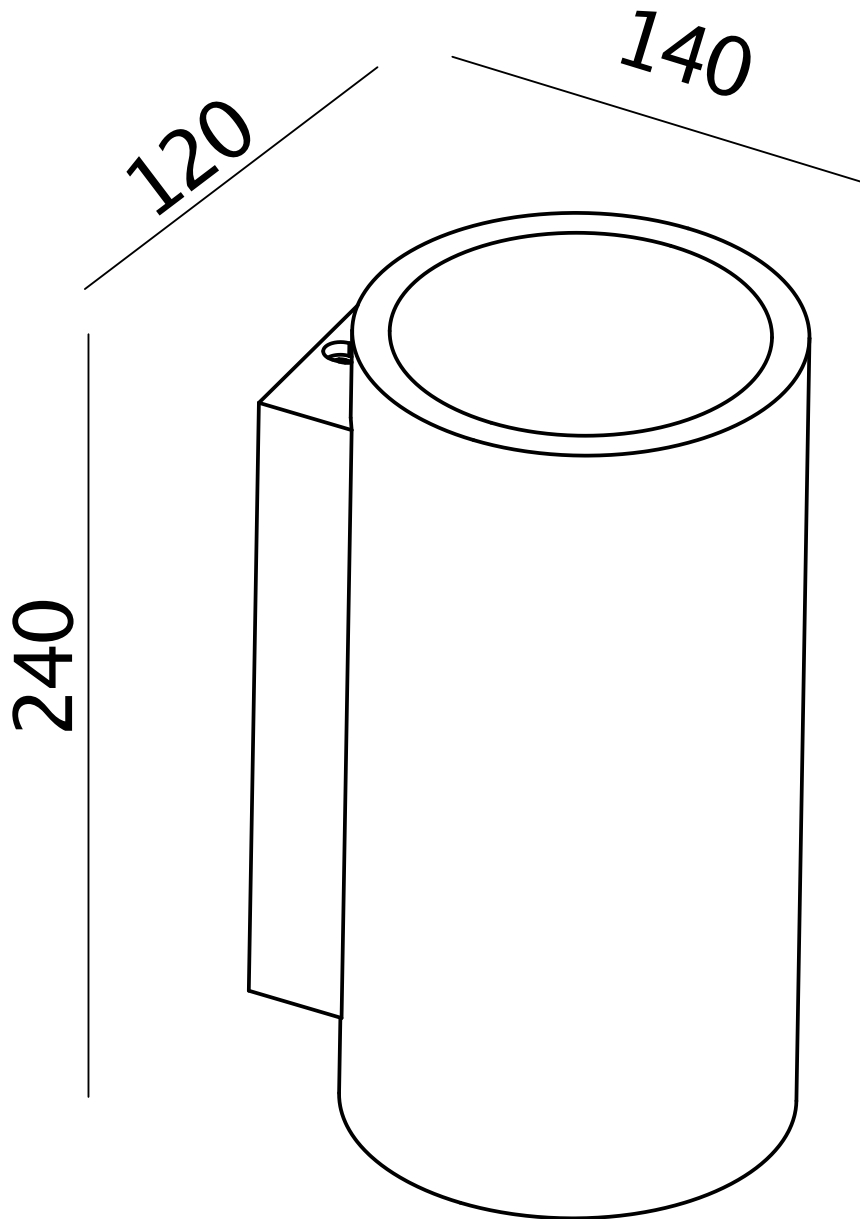
## CONTACT

[www.firstchoicelighting.co.uk](http://www.firstchoicelighting.co.uk)

[info@firstchoicelighting.co.uk](mailto:info@firstchoicelighting.co.uk)

# FCL-30572X2

Set of 2 Andros - White Plaster GU10 Wall Lights



## CERTIFICATION



## CONTACT

[www.firstchoicelighting.co.uk](http://www.firstchoicelighting.co.uk)

[info@firstchoicelighting.co.uk](mailto:info@firstchoicelighting.co.uk)

ISSUE DATE 24/11/2025

PAGE 2