



LIGHT SOURCE DATA

- 2 x 35W Max GU10 Halogen (required)
- Lamp direction - Downwards
- Lamp shape - Reflector/Pear Shape
- Dimmable
- Energy class: Not applicable

DIMENSION DATA

- Height 80mm
- Diameter 80mm

- Weight 0.45kg

SPECIFICATION

- Manufacturer warranty for 2 years from date of purchase
- White plaster
- IP20
- No
- Class II - Double Insulated, No Earth
- 240V
- Assembly required? No
- UKCA Marking, Energy Efficient, Energy Saving

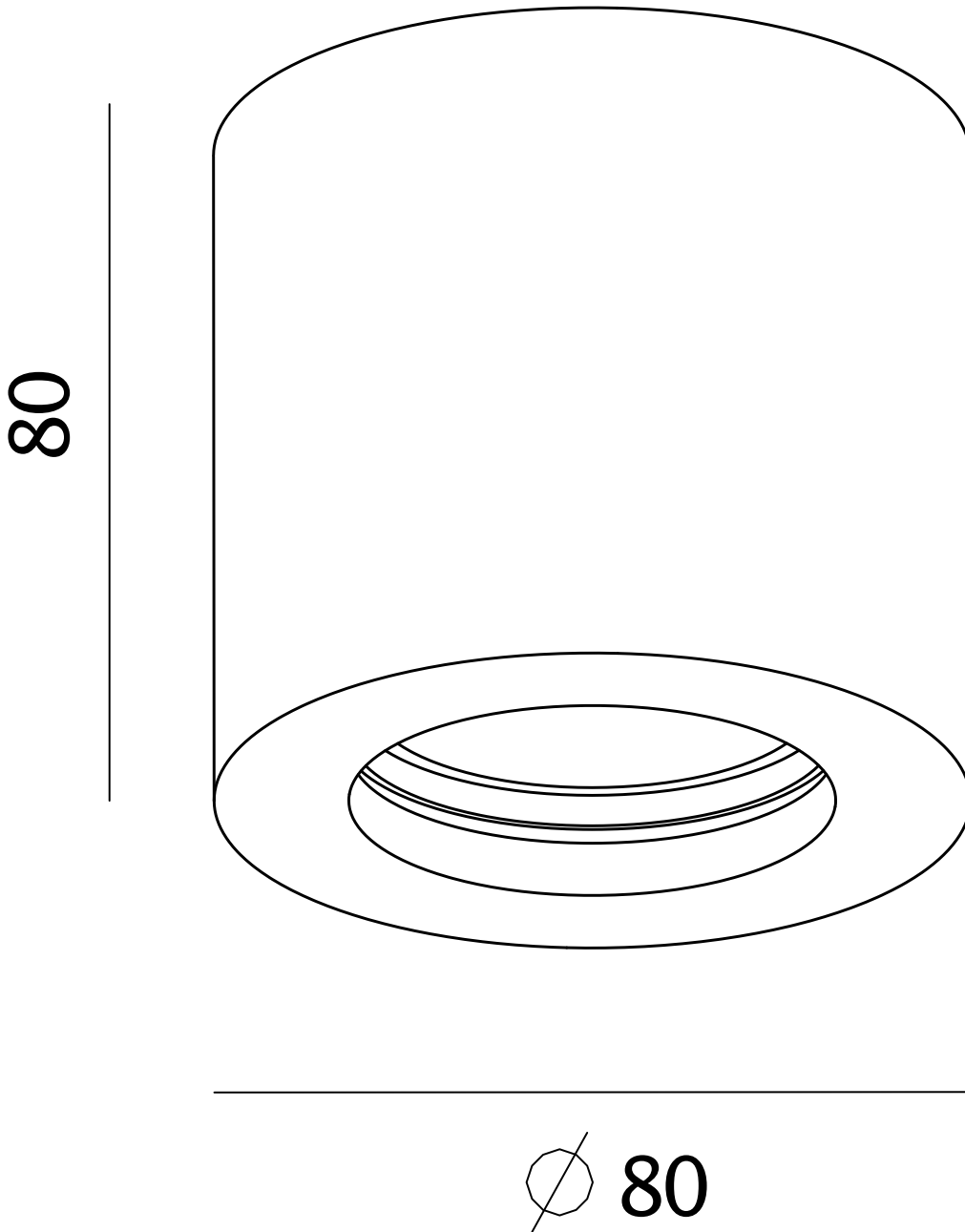
CERTIFICATION



CONTACT

www.firstchoicelighting.co.uk

info@firstchoicelighting.co.uk



CERTIFICATION



CONTACT

www.firstchoicelighting.co.uk

info@firstchoicelighting.co.uk