

Set of 2 Jenson - Brushed Chrome Touch Table Lamps Grey Cotton Shade



LIGHT SOURCE DATA

- 2 x 40W Max E14 SES (required)
- Lamp direction - Indirect
- Lamp shape - Conical/Candelabra/Candle
- Dimmer included
- Energy class: Not applicable

DIMENSION DATA

- Height 220mm
- Diameter 135mm

- Weight 0.32kg

SPECIFICATION

- Manufacturer warranty for 2 years from date of purchase
- Satin nickel plate and grey cotton
- IP20
- Touch 4 Stage Dimmer Switch
- Class II - Double Insulated, No Earth
- 240V
- Assembly required? No
- UKCA Marking, Energy Efficient, Energy Saving

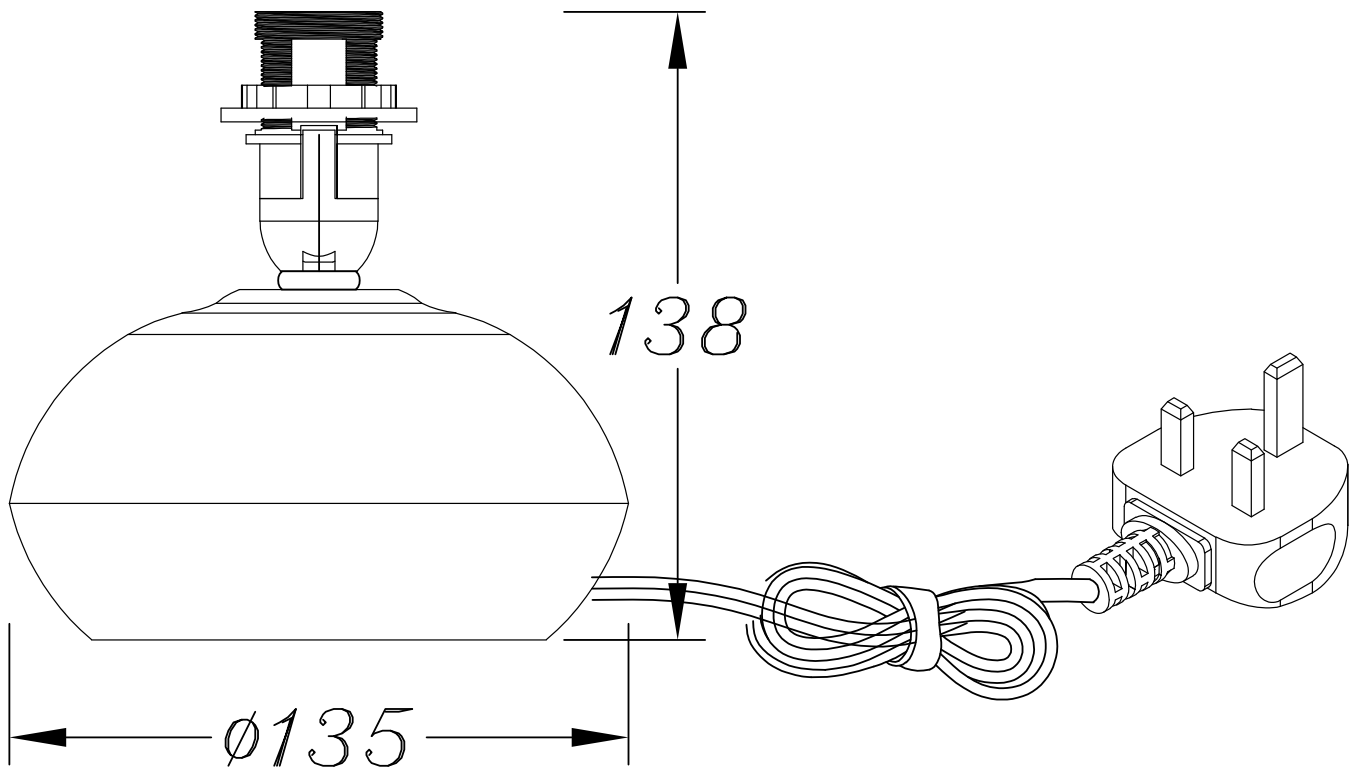
CERTIFICATION



CONTACT

www.firstchoicelighting.co.uk

info@firstchoicelighting.co.uk



CERTIFICATION



CONTACT

www.firstchoicelighting.co.uk

info@firstchoicelighting.co.uk