

Set of 2 Romana - Antique Brass Touch Table Lamp with Linen Shades



## LIGHT SOURCE DATA

- 2 x 6W Max LED E14 SES (required)
- Lamp direction - Indirect
- Lamp shape - Conical/Candelabra/Candle
- Dimmer included
- Energy class: Not applicable

## DIMENSION DATA

- Height 300mm
- Diameter 155mm
- Weight 0.30kg

## SPECIFICATION

- Manufacturer warranty for 2 years from date of purchase
- Antique brass plate and natural linen
- IP20
- Touch 3 Stage Dimmer Switch
- Class I - Single Insulated, Earthed
- 240V
- Assembly required? No
- UKCA Marking, Energy Efficient, Energy Saving

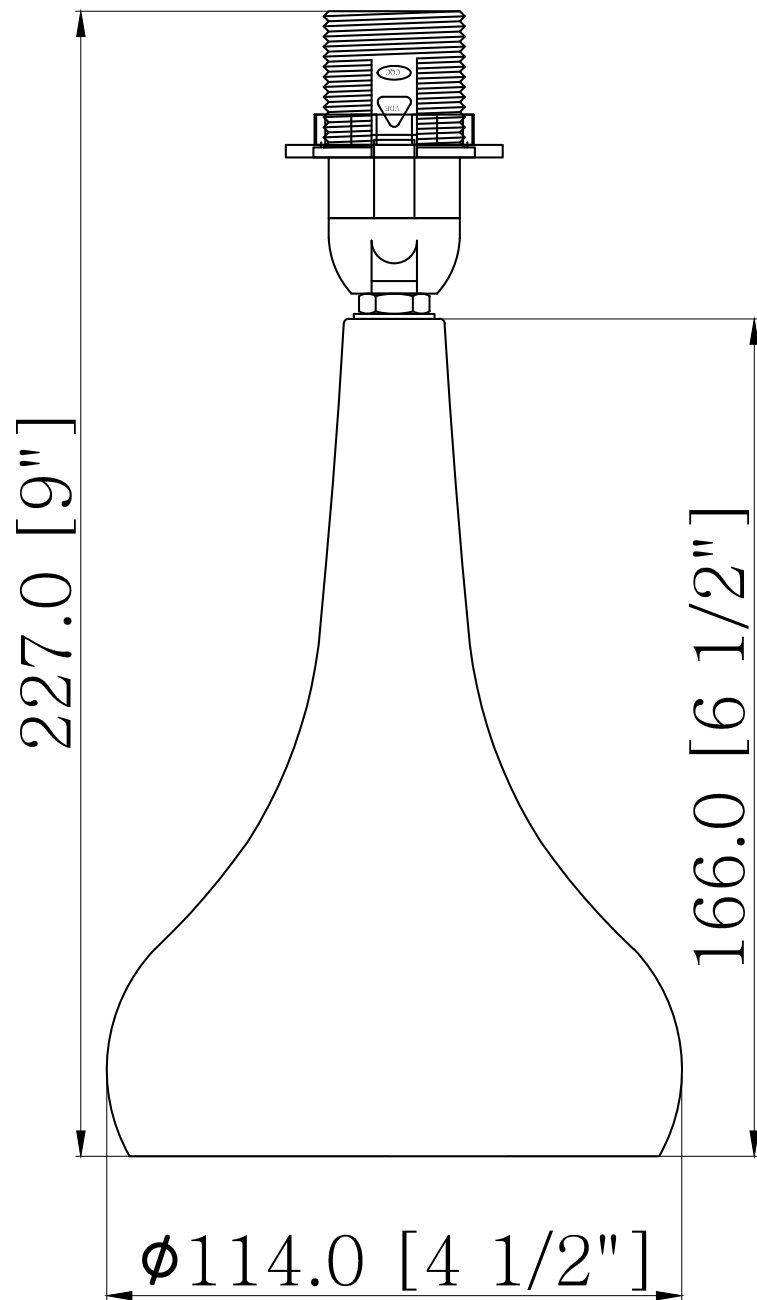
## CERTIFICATION



## CONTACT

[www.firstchoicelighting.co.uk](http://www.firstchoicelighting.co.uk)

[info@firstchoicelighting.co.uk](mailto:info@firstchoicelighting.co.uk)



## CERTIFICATION



## CONTACT

[www.firstchoicelighting.co.uk](http://www.firstchoicelighting.co.uk)

[info@firstchoicelighting.co.uk](mailto:info@firstchoicelighting.co.uk)