

Set of 2 Sage Green Laser Cut 15.5cm Table Lamp Shades



LIGHT SOURCE DATA

- 2 x 40W Max B22 BC or E14 SES (required)
- Lamp direction - Indirect
- Lamp shape - Standard
- Dimmable
- Energy class: Not applicable

DIMENSION DATA

- Height 150mm
- Diameter 155mm

- Weight 0.19kg

SPECIFICATION

- Manufacturer warranty for 2 years from date of purchase
- Sage green cotton
- IP20
- No
- 240V
- Assembly required? No
- UKCA Marking, Energy Efficient, Energy Saving

CERTIFICATION

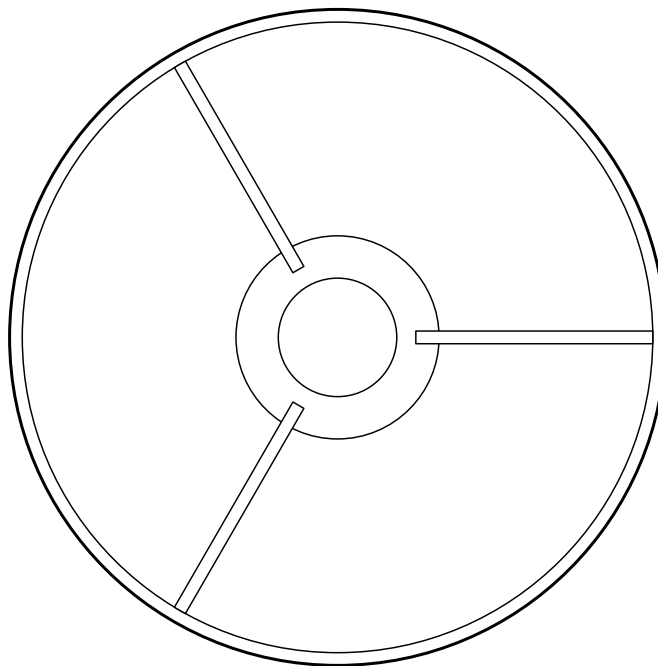
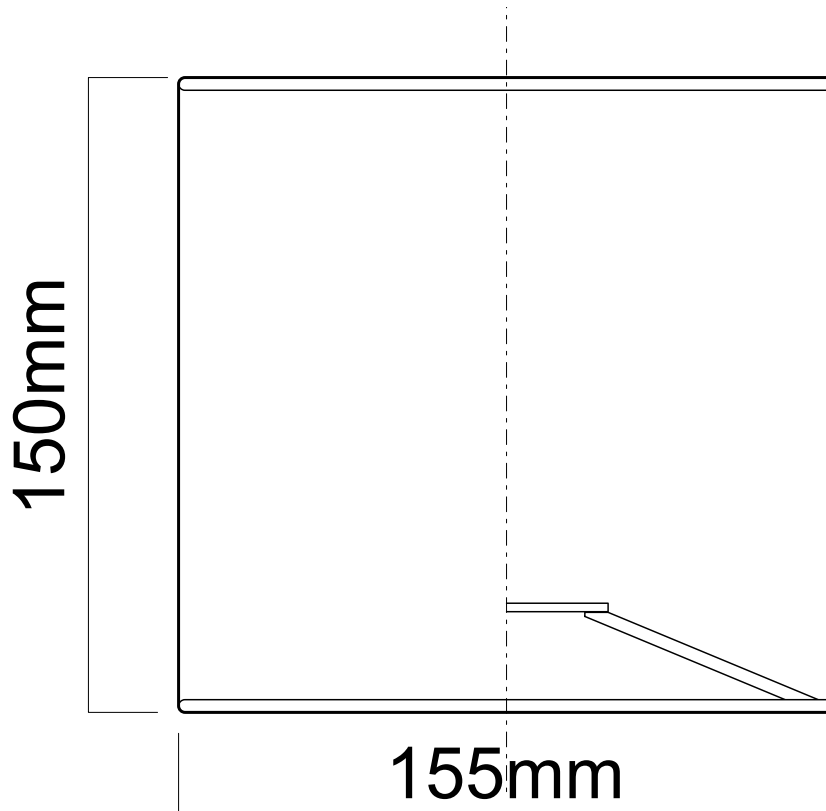


CONTACT

www.firstchoicelighting.co.uk

info@firstchoicelighting.co.uk

Set of 2 Sage Green Laser Cut 15.5cm Table Lamp Shades



CERTIFICATION



CONTACT

www.firstchoicelighting.co.uk

info@firstchoicelighting.co.uk