

Set of 2 Grosvenor - Black 3 Light Bars with Glass Globes



LIGHT SOURCE DATA

- 2 x 3W Max LED G9 (required)
- Lamp direction - Indirect
- Lamp shape - Capsule
- Dimmable
- Energy class: Not applicable

DIMENSION DATA

- Height 190mm
- Width 100mm
- Depth 540mm

- Weight 0.80kg

SPECIFICATION

- Manufacturer warranty for 2 years from date of purchase
- Black and white glass
- IP20
- No
- Class I - Single Insulated, Earthed
- 240V
- Assembly required? Yes
- UKCA Marking, Energy Efficient, Energy Saving

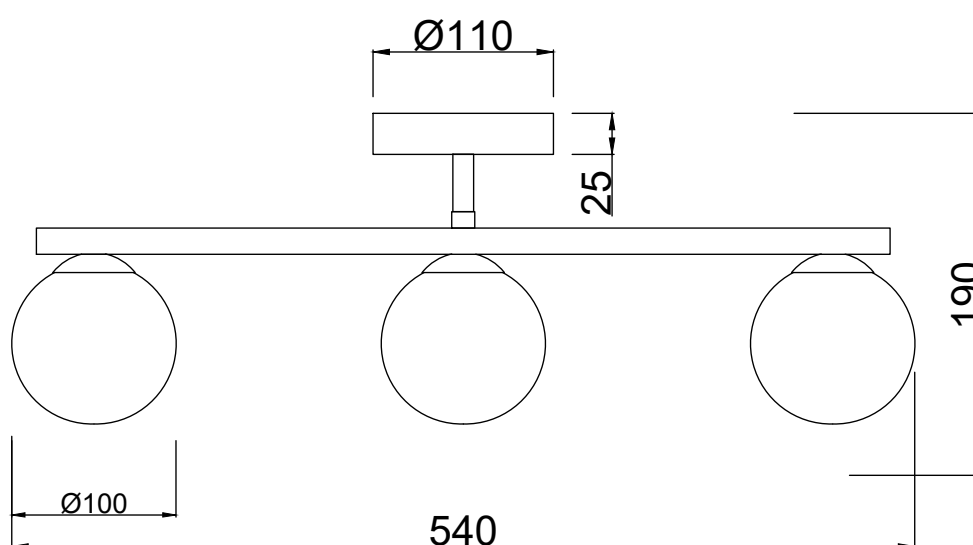
CERTIFICATION



CONTACT

www.firstchoicelighting.co.uk

info@firstchoicelighting.co.uk



CERTIFICATION



CONTACT

www.firstchoicelighting.co.uk

info@firstchoicelighting.co.uk