

Set of 2 Grosvenor - Satin Brass Pendant Lights with Glass Globes



LIGHT SOURCE DATA

- 2 x 5W Max LED E27 ES (required)
- Lamp direction - Indirect
- Lamp shape - Standard
- Dimmable
- Energy class: Not applicable

DIMENSION DATA

- Height 350 - 1000mm
- Diameter 250mm
- Weight 1.00kg

SPECIFICATION

- Manufacturer warranty for 2 years from date of purchase
- Satin brass plate and white glass
- IP20
- No
- Class I - Single Insulated, Earthed
- 240V
- Assembly required? Yes
- UKCA Marking, Energy Efficient, Energy Saving

CERTIFICATION



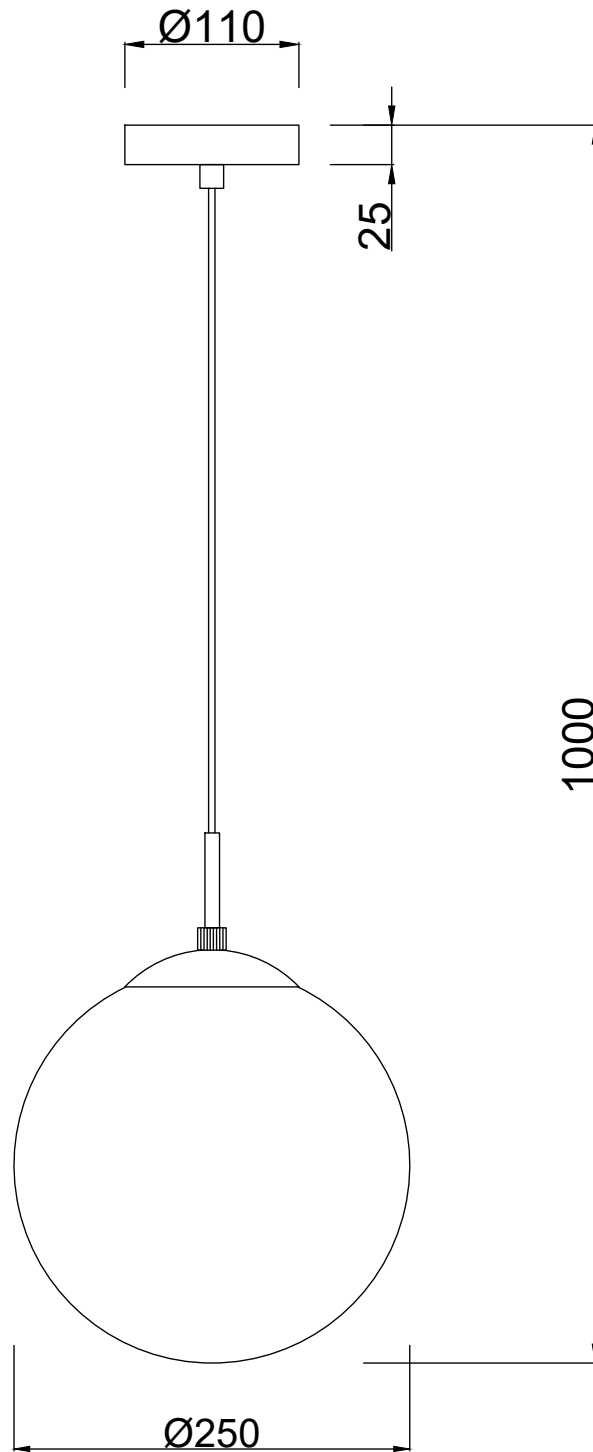
CONTACT

www.firstchoicelighting.co.uk

info@firstchoicelighting.co.uk

FCL-30873X2

Set of 2 Grosvenor - Satin Brass Pendant Lights with Glass Globes



CERTIFICATION



CONTACT

www.firstchoicelighting.co.uk

info@firstchoicelighting.co.uk

ISSUE DATE 19/01/2026

PAGE 2