

Grovesner ceiling fitting

Contents

- metal fitting
- 1 x glass globe shade
- 2 wall plugs
- 4-pole terminal block
- 1 ceiling plate
- 2 screws

Assembly instructions

For your safety, this product must be installed in accordance with local Building Regulations. If in any doubt, or where required by law, consult a competent person who is registered with an electrical self-certification scheme. Further information is available on line or from your local authority.

WARNING - Switch off electricity supply at fuse box before and during installation. We recommend that the circuit fuse is fully withdrawn to prevent accidental switching on whilst work is in progress.

If you are fitting a unit in place of an existing ceiling rose, you may find that both ring and switched circuits exist. Before removing the existing rose, carefully note the position of each set of cables in relation to L.N.E. If a ring circuit exists there will be a fourth set of wires (usually red) that are not connected to L N or E. This circuit must be kept together in a separate terminal block insulated from the fitting. The ring circuit will remain live unless isolated at the fuse box regardless of the position of the wall switch - if in doubt, consult a qualified electrician.

TOOLS REQUIRED:

- pencil
- 2 x adequate screws (supplied)
- 1 x approved 4 pole terminal block (supplied)
- drill with appropriate sized drill bits
- small flat head screwdriver (for wiring)
- cross head screwdriver (for installation)
- wire strippers (if required)
- good quality insulation tape

ATTACHING THE FITTING:

Note: all units with earth tags or earth labels **MUST** be earthed

- 1) Carefully unwrap the glass shade. First, insert correct wattage and shape of bulb as shown on the wattage label affixed to the fitting, then attach the shade by gently pushing the 2 spring clips together. Locate the clips inside the glass shade before carefully releasing them inside the shade - see diagram. Take care not to release too quickly as this may damage the shade.
- 2) Locate the area in which you wish to place the fitting. Using the holes in the ceiling plate as a template, mark the position of the fixing holes (make sure the marks are below a joist or other solid object suitable for the weight of the fitting).
- 3) Connect the wiring from the house wiring to the supplied terminal block as detailed (Fig 2) (take note of the previous connections), making sure that the conductors are fully inserted and that no loose strands stick out. Fully tighten the connection making sure screw clamps onto the conductors and not the insulation. When connecting to the existing house wiring ensure that concealed wires will not be fouled by drill or screws during fitting. If re-positioning of supply wires is required, new wiring should be installed in accordance with IEE wiring regulations. If in doubt, consult a qualified electrician.
- 4) Offer the fitting up to the ceiling and connect the wiring from the fitting to the terminal block again making sure no strands are exposed and that the connections are fully tightened.
- 5) Securely fasten the product to the ceiling using two adequate sized screws making sure the screws go into the joist or other solid object.
- 6) Restore power to the fuse box. Your fitting is now ready to use.

OTHER:

Care should be taken to choose the correct bulb for your light fitting as different bulbs give varying lighting effects. Generally clear bulbs will add sparkle to glass shades while pearl or opal bulbs give a softer, more even light.

Only use the bulb types recommended for your light fitting and never exceed the stated maximum wattage. Where fitting and shade have different maximum wattage ratings, always use the lower value.

For safety, always switch off at the mains before fitting or replacing shades or bulbs.

CLEANING

If your fitting requires cleaning, use a soft cloth. Never use polish containing abrasives or solvents as these may damage the finish. If glass shades require cleaning, these may be removed and washed in warm soapy water. Rinse in clean water and carefully dry before refitting.

PRODUCT SPECIFICATION:

- Rated Voltage: 220V – 240V ~ 50-60Hz
- Bulb required: 5W E27 LED only.

Bulb Information

This light fitting is suitable for use with dimmer switch. Dimmable approved light bulbs are recommended.

Halogen Bulbs get extremely hot therefore always ensure they have fully cooled down before handling.

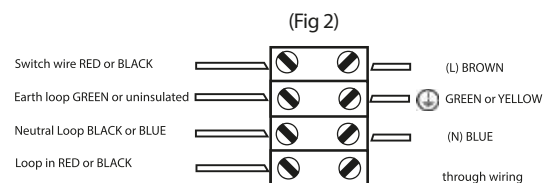
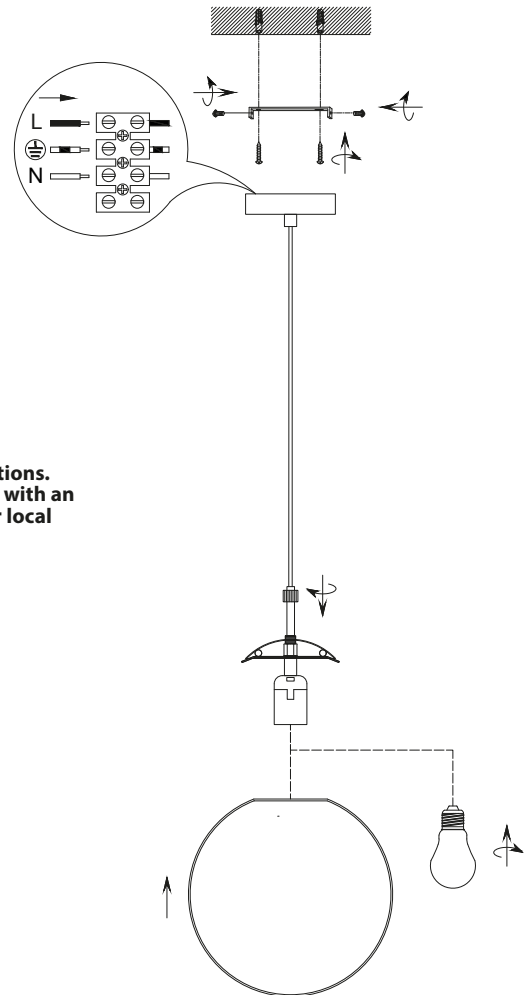
Never use a halogen bulb of a greater wattage than specified.

Avoid looking directly at illuminated halogen bulbs.

Never touch bulb or the glass when lit.

Always ensure the bulb cannot come into contact with combustible materials.

Never handle halogen bulbs with bare hands as this will result in a much shortened bulb life.



All measurements are approximate. Images are for illustration only.